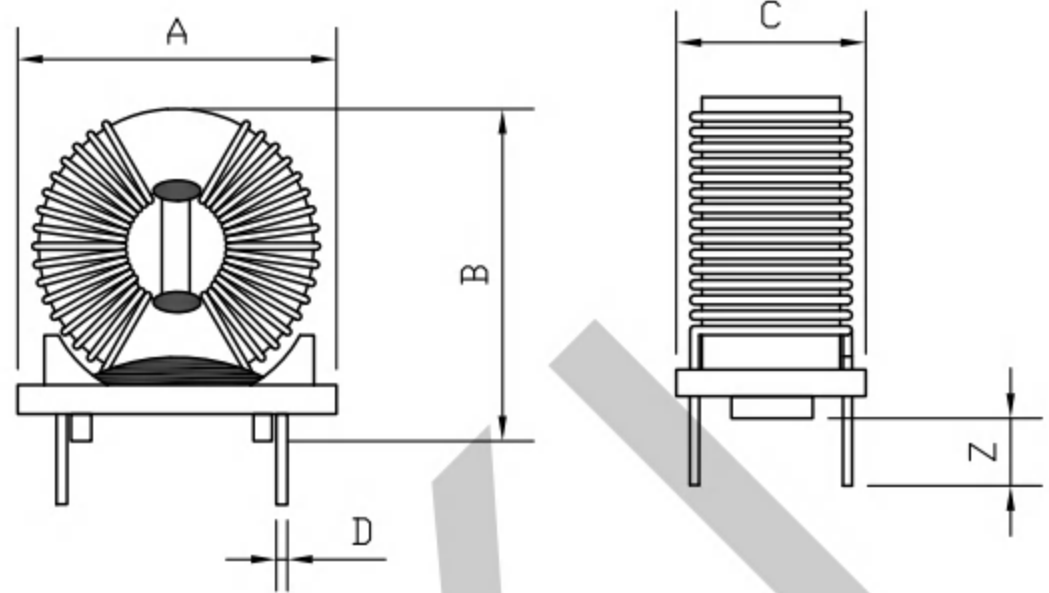
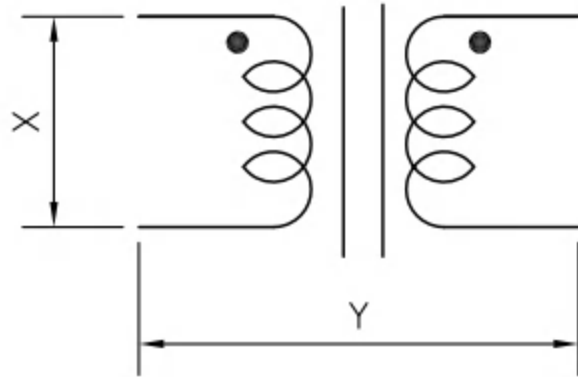


# OZEKI

## 共模电感（环形立式）系列

### Common mode choke(Ring vertical)series

- 电流可以达到15A/Current Rating up to 15A
- 体积小/Small volume
- 阻抗频率特性好/Good impedance frequency characteristic



型号/ Part No	电感量 Inductance mH(Typ) ⊕	直流电阻 DCR mΩ±15% ⊕	额定电流 Rating Current A(TA=50°C) ⊕	谐振频率 SRF kHz	X (mm)	Y (mm)	Z (mm)	A (mm)	B (mm)	C (mm)	D (mm)
CM-14-05-035-8M3-V	8.3	187.4	1.0	570	8.0	10.0	4.0	16.2	19.2	10.7	0.8
CM-14-05-040-6M3-V	6.3	129.0	1.3	650	8.0	10.0	4.0	15.8	19.2	10.7	0.8
CM-14-05-050-4M0-V	4.0	67.0	2.1	880	8.0	10.0	4.0	16.2	19.4	11.3	0.8
CM-14-10-030-23M-V	22.8	300.0	0.73	310	8.0	10.0	4.0	16.0	18.8	11.0	0.8
CM-14-10-035-17M-V	16.6	193.7	1.0	420	8.0	10.0	4.0	16.2	19.1	10.7	0.8
CM-14-10-040-13M-V	12.5	131.9	1.3	470	8.0	10.0	4.0	16.5	19.3	10.7	0.8
CM-14-10-050-8M0-V	8.0	72.4	2.1	780	8.0	10.0	4.0	16.8	19.8	10.9	0.8
CM-18-05-050-9M9-V	9.9	117.5	2.1	440	9.5	15	4.0	20.4	23.3	13.2	0.8
CM-18-05-060-6M0-V	6.0	65.7	2.9	580	9.5	15	4.0	20.5	24.1	14.0	0.8
CM-18-05-070-3M7-V	3.7	39.7	4.0	740	9.5	15	4.0	20.9	23.9	14.2	0.8
CM-18-05-080-2M4-V	2.4	25.0	5.2	940	9.5	15	4.0	21.0	23.7	14.2	0.8
CM-18-10-045-27M-V	27.0	166.8	1.7	280	9.5	15	4.0	20.6	23.5	14.2	0.8
CM-18-10-050-20M-V	19.7	119.0	2.1	370	9.5	15	4.0	21.1	23.3	13.2	0.8
CM-18-10-055-14M-V	14.4	85.3	2.5	470	9.5	15	4.0	20.6	23.5	13.5	0.8
CM-18-10-060-12M-V	12.0	67.0	2.9	630	9.5	15	4.0	21.6	24.0	13.6	0.8
CM-18-10-070-6M8-V	6.8	39.1	4.0	830	9.5	15	4.0	20.8	24.0	13.6	0.8
CM-18-10-080-4M7-V	4.7	24.1	5.2	1150	9.5	15	4.0	21.5	23.6	14.6	0.8
CM-22-05-055-17M-V	16.7	156.3	2.5	270	12	10	4.0	25.5	29.0	17.0	1.0
CM-22-05-060-12M-V	12.1	110.2	2.9	340	12	10	4.0	25.5	29.7	17.0	1.0
CM-22-05-070-8M3-V	8.3	68.2	4.0	410	12	10	4.0	25.8	30.0	18.0	1.0
CM-22-05-080-6M3-V	6.3	46.4	5.2	460	12	10	4.0	26.3	29.6	17.6	1.0
CM-22-05-090-4M5-V	4.5	32.0	6.6	530	12	10	4.0	25.6	30.0	18.2	1.0
CM-22-05-100-3M3-V	3.3	22.6	8.2	580	12	10	4.0	26.5	29.3	18.6	1.0

## 共模电感（环形立式）系列

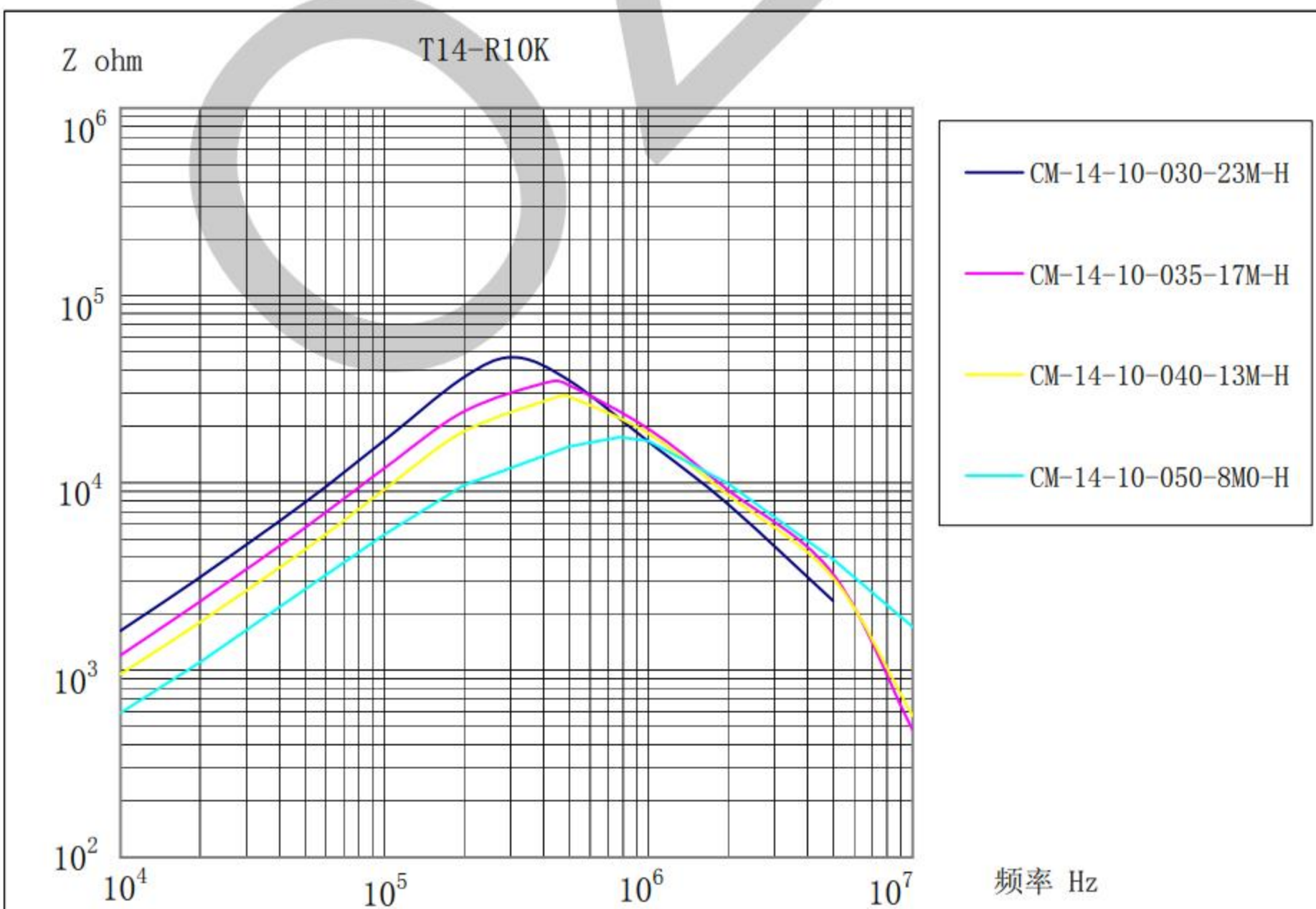
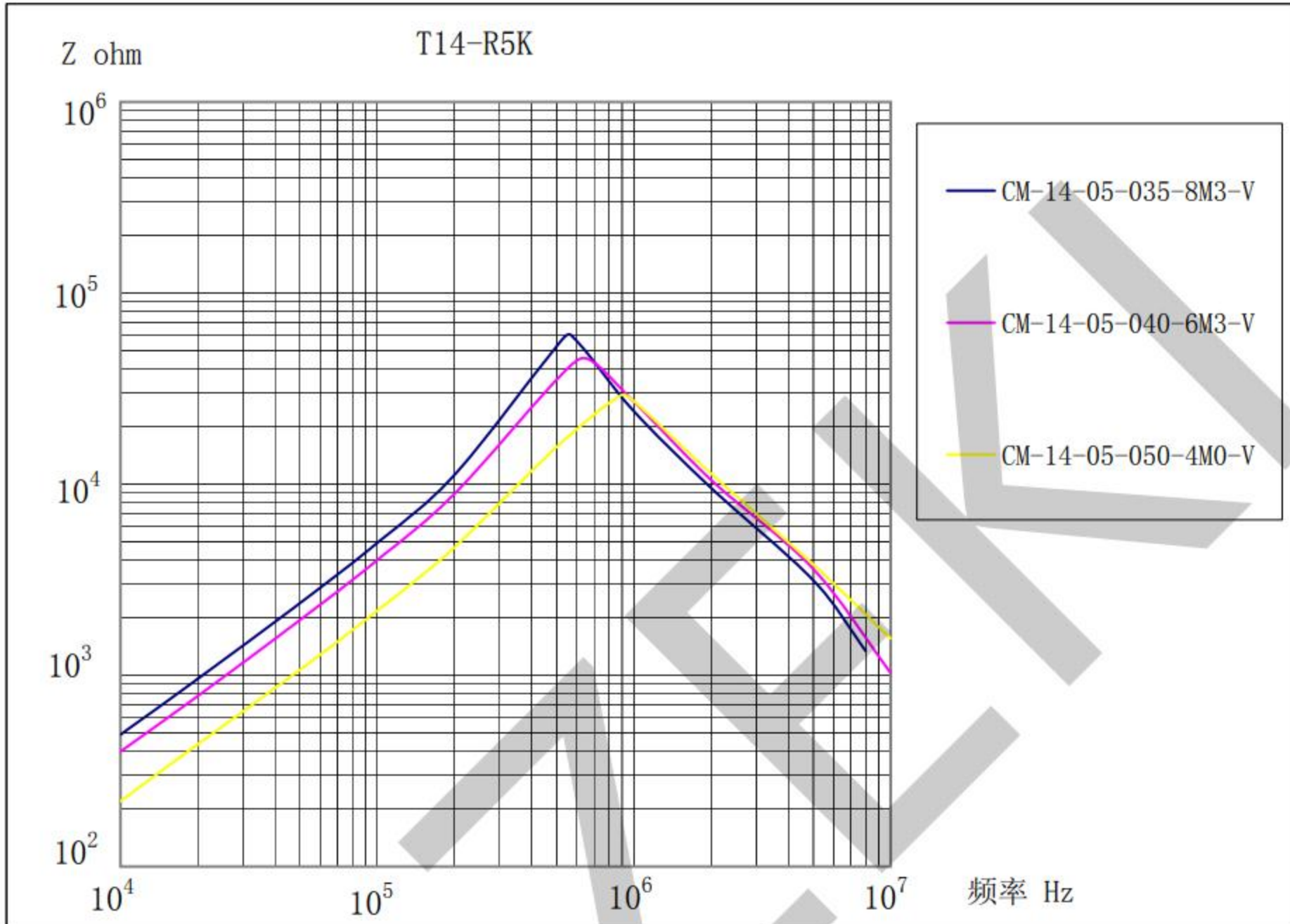
### Common mode choke(Ring vertical)series

型号/ Part No	电感量 Inductance mH(Typ) ①	直流电阻 DCR mΩ±15% ②	额定电流 Rating Current A(TA=50°C) ③	谐振频率 SRF kHz	X (mm)	Y (mm)	Z (mm)	A (mm)	B (mm)	C (mm)	D (mm)
CM-22-10-050-41M-V	41.3	204.7	2.1	170	12	10.0	4.0	25.8	28.7	17.2	1.0
CM-22-10-055-33M-V	33.4	152.7	2.5	190	12	10.0	4.0	25.8	28.9	17.6	1.0
CM-22-10-060-24M-V	24.3	110.2	2.9	250	12	10.0	4.0	25.5	28.7	17.2	1.0
CM-22-10-070-17M-V	16.5	67.7	4.0	310	12	10.0	4.0	25.9	28.8	17.8	1.0
CM-22-10-080-13M-V	12.5	44.5	5.2	380	12	10.0	4.0	26.2	29.3	18.0	1.0
CM-22-10-090-9M0-V	9.0	32.8	6.6	480	12	10.0	4.0	25.8	28.5	18.9	1.0
CM-22-10-100-6M6-V	6.6	22.7	8.1	580	12	10.0	4.0	26.8	29.4	19.0	1.0
CM-25-05-060-22M-V	22.0	147.2	2.9	230	15.0	15.0	4.0	30.2	34.2	19.0	1.0
CM-25-05-080-8M8-V	8.8	54.5	5.2	370	15.0	15.0	4.0	30.2	34.7	18.6	1.0
CM-25-05-100-5M9-V	5.9	30.1	8.1	470	15.0	15.0	4.0	30.2	34.8	19.0	1.0
CM-25-05-120-2M7-V	2.7	14.6	11.8	640	15.0	15.0	4.0	30.2	34.6	20.0	1.0
CM-25-05-140-1M8-V	1.8	9.0	16.0	680	15.0	15.0	4.0	30.2	34.8	20.0	1.0
CM-25-05-160-1M2-V	1.2	6.0	20.9	1040	15.0	15.0	4.0	30.2	35.2	18.7	1.0
CM-25-10-060-44M-V	44.1	144.7	2.9	150	15.0	15.0	4.0	30.2	34.8	18.7	1.0
CM-25-10-070-24M-V	24.3	80.0	4.0	230	15.0	15.0	4.0	30.2	35.2	20.0	1.0
CM-25-10-080-18M-V	17.7	53.2	5.2	280	15.0	15.0	4.0	30.2	34.8	20.0	1.0
CM-25-10-090-14M-V	14.2	39.4	6.6	310	15.0	15.0	4.0	30.2	34.4	20.0	1.0
CM-25-10-100-12M-V	11.8	29.2	8.1	350	15.0	15.0	4.0	30.2	34.5	20.0	1.0
CM-25-10-120-5M4-V	5.4	14.3	11.8	530	15.0	15.0	4.0	30.2	35.2	20.0	1.0
CM-25-10-140-3M5-V	3.5	9.0	16.0	920	15.0	15.0	4.0	30.2	35.2	20.0	1.0
CM-25-10-160-2M4-V	2.4	6.0	20.9	690	15.0	15.0	4.0	30.2	35.2	20.0	1.0

- ① 电感量测试条件为10kHz 0.1V  
Inductance test condition is 10kHz 0.1V
- ② 直流电阻在25°C条件下测试  
DCR test ambient temperature is 25°C
- ③ 在额定电流条件下，产品温升不超过45°C  
Under the rated current, the temperature rise is not more than 45°C
- ④ 额定电压及频率：250V 50/60Hz  
Rating voltage and frequency: 250V 50/60Hz
- ⑤ 耐电压测试：2000V 50/60Hz 2s  
Hipot: 2000V 50/60Hz 2s
- ⑥ 绝缘电阻：100MΩ Min @500Vdc  
Insulation Resistance: 100MΩ Min @500Vdc

## 共模电感 (T14 立式) 系列 Common mode choke(T14 vertical)series

阻抗频率特性曲线  
Impedance frequency characteristic curve



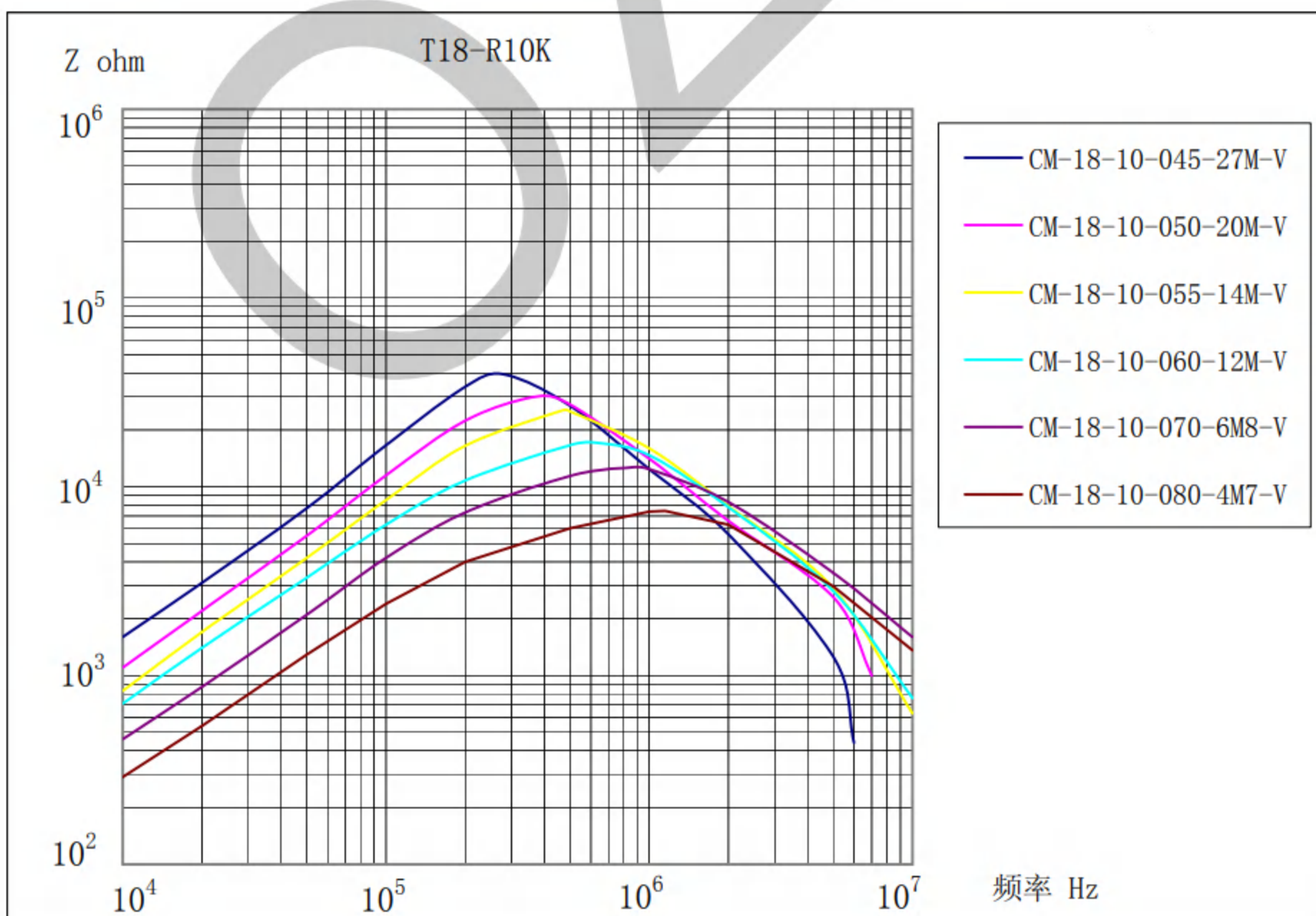
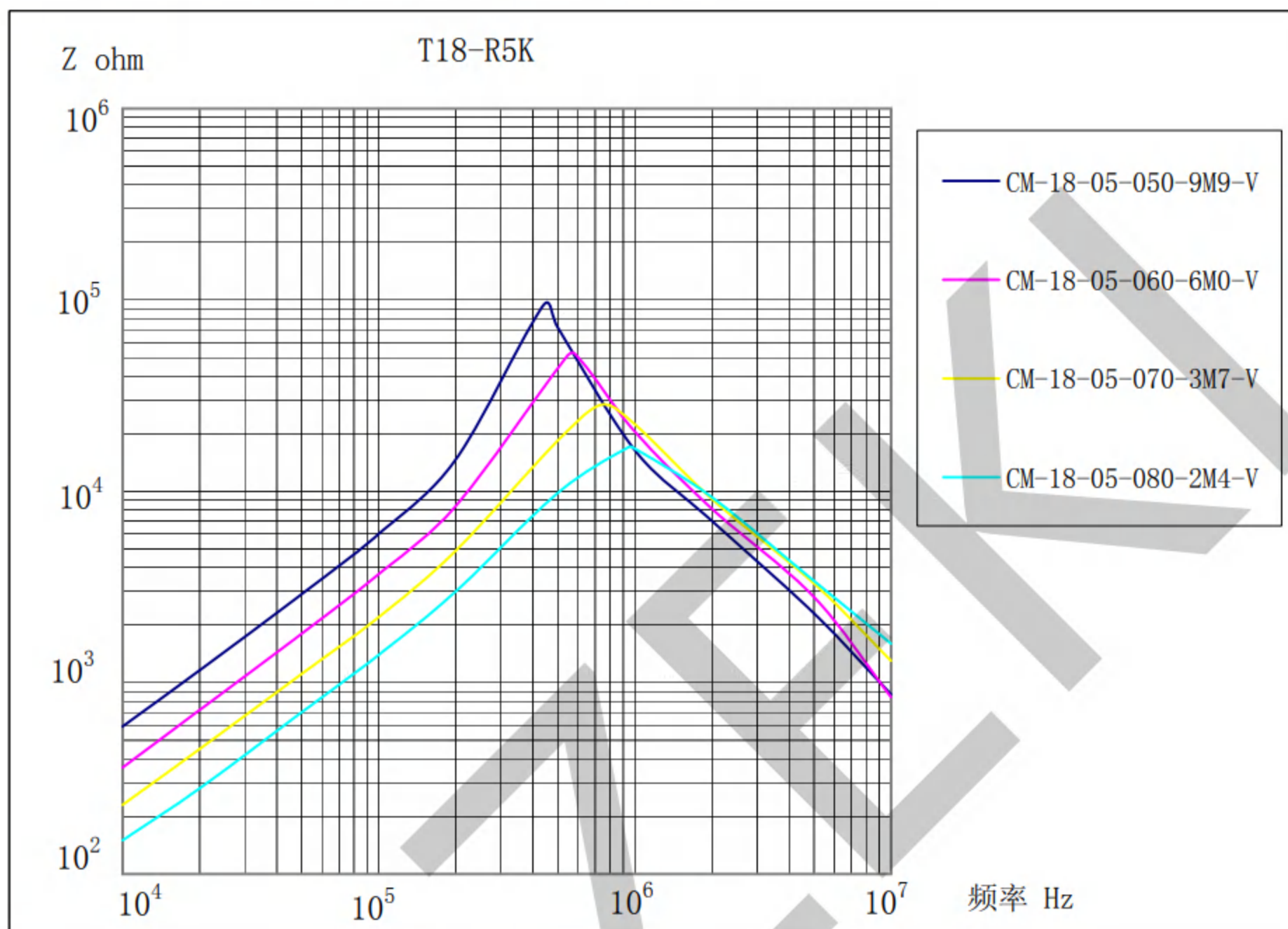
# OZEKI

共模电感 (T18 立式) 系列

Common mode choke(T18 vertical)series

阻抗频率特性曲线

Impedance frequency characteristic curve



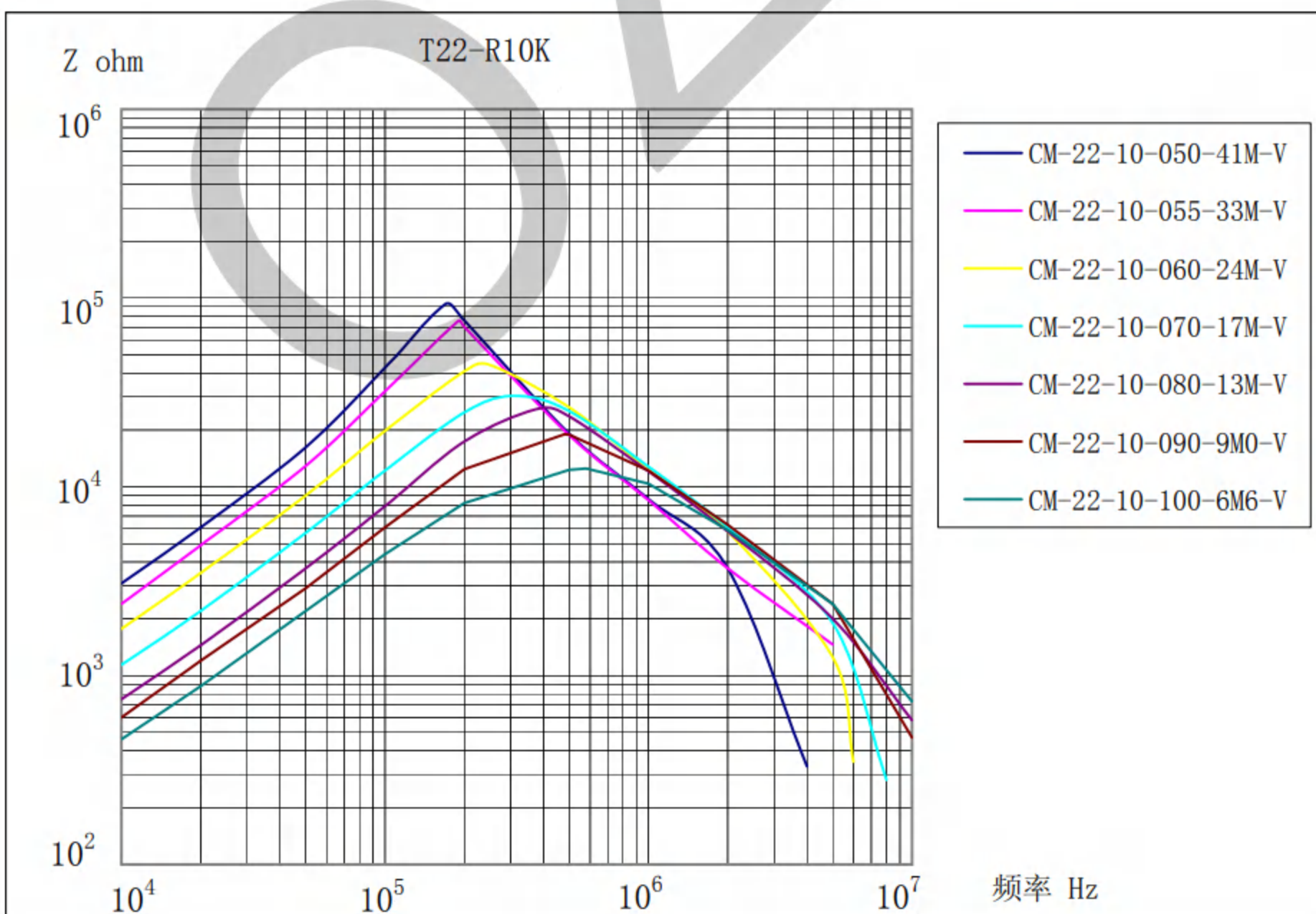
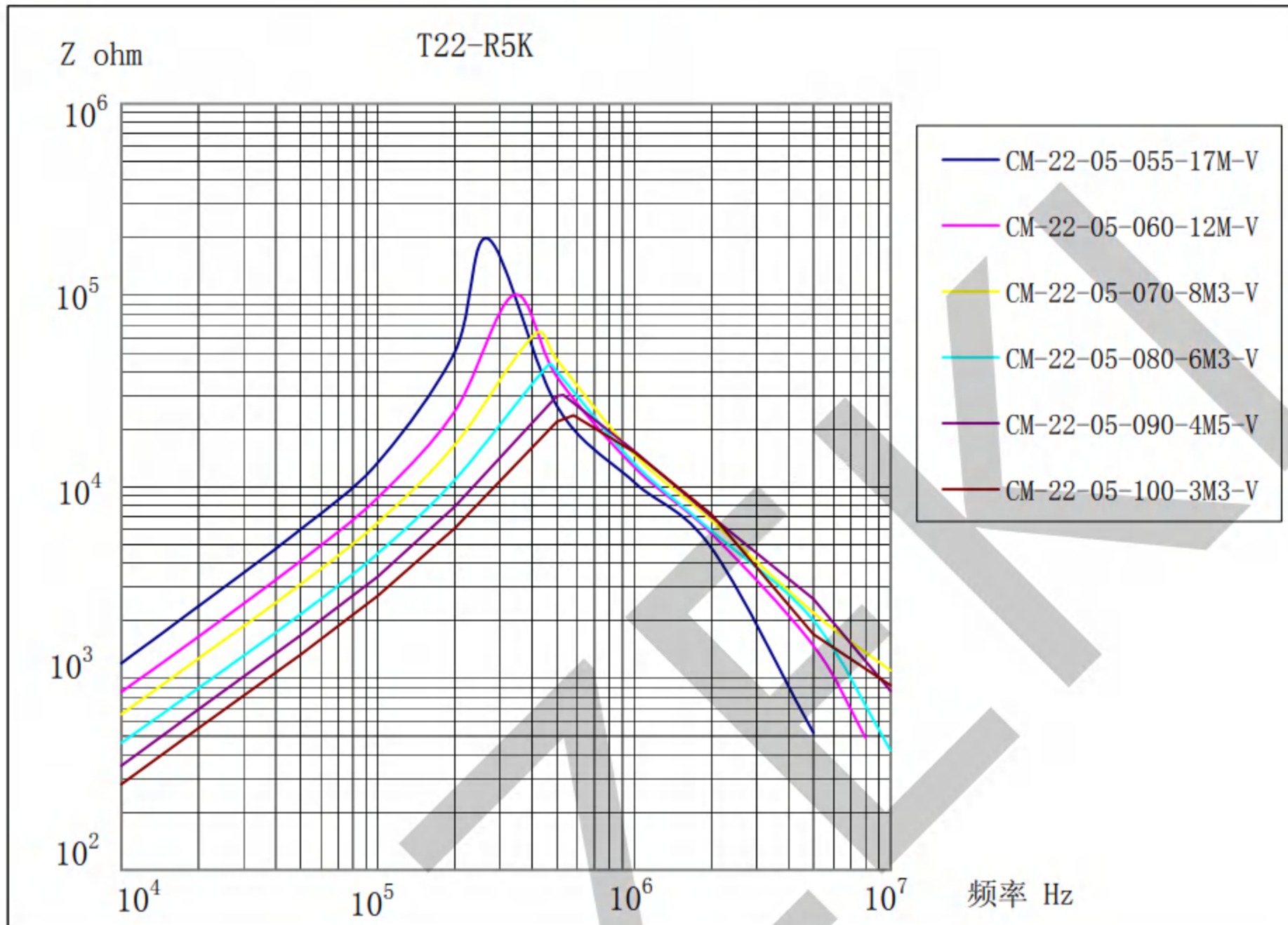
# OZEKI

共模电感 (T22 立式) 系列

Common mode choke(T22 vertical)series

阻抗频率特性曲线

Impedance frequency characteristic curve



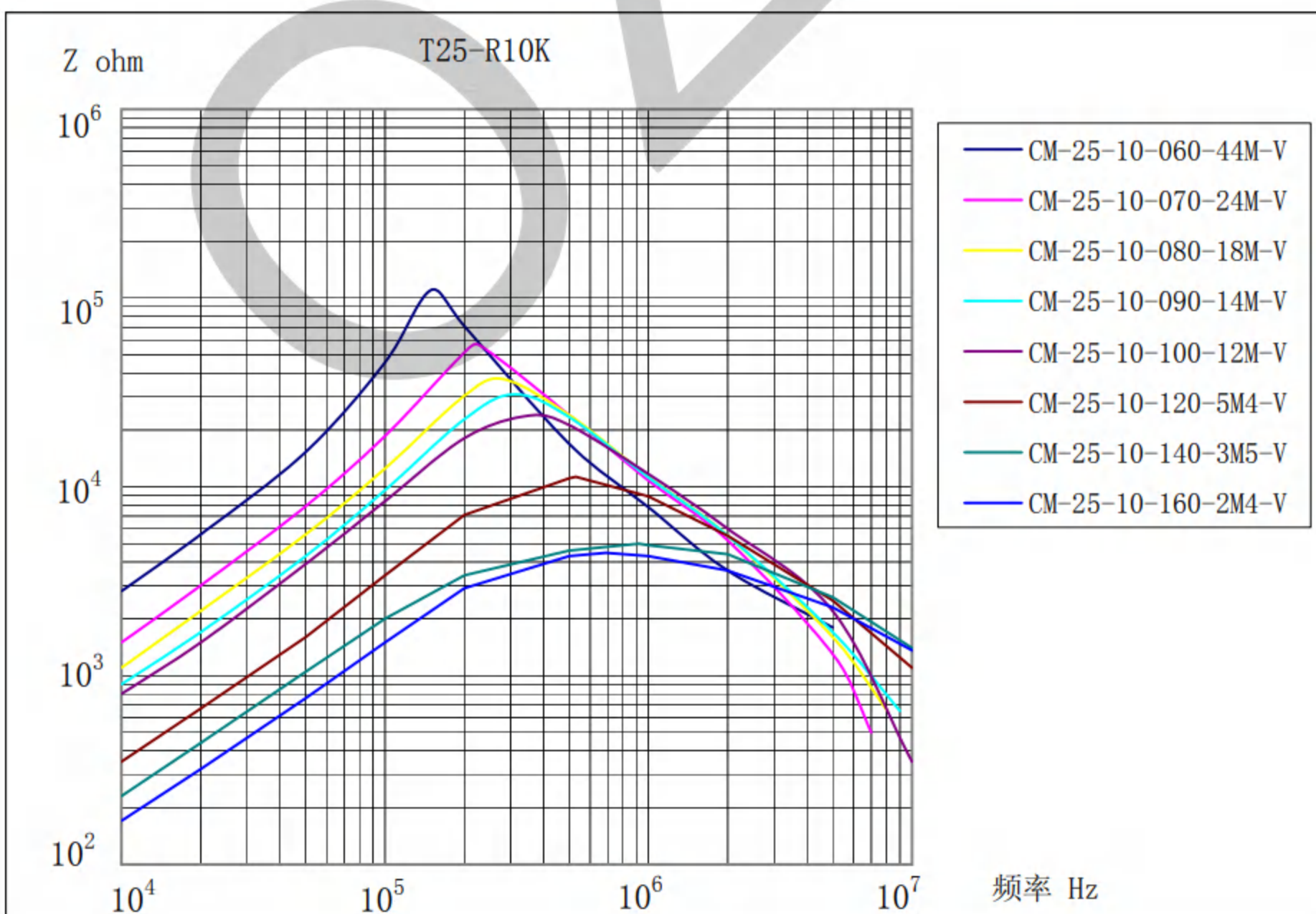
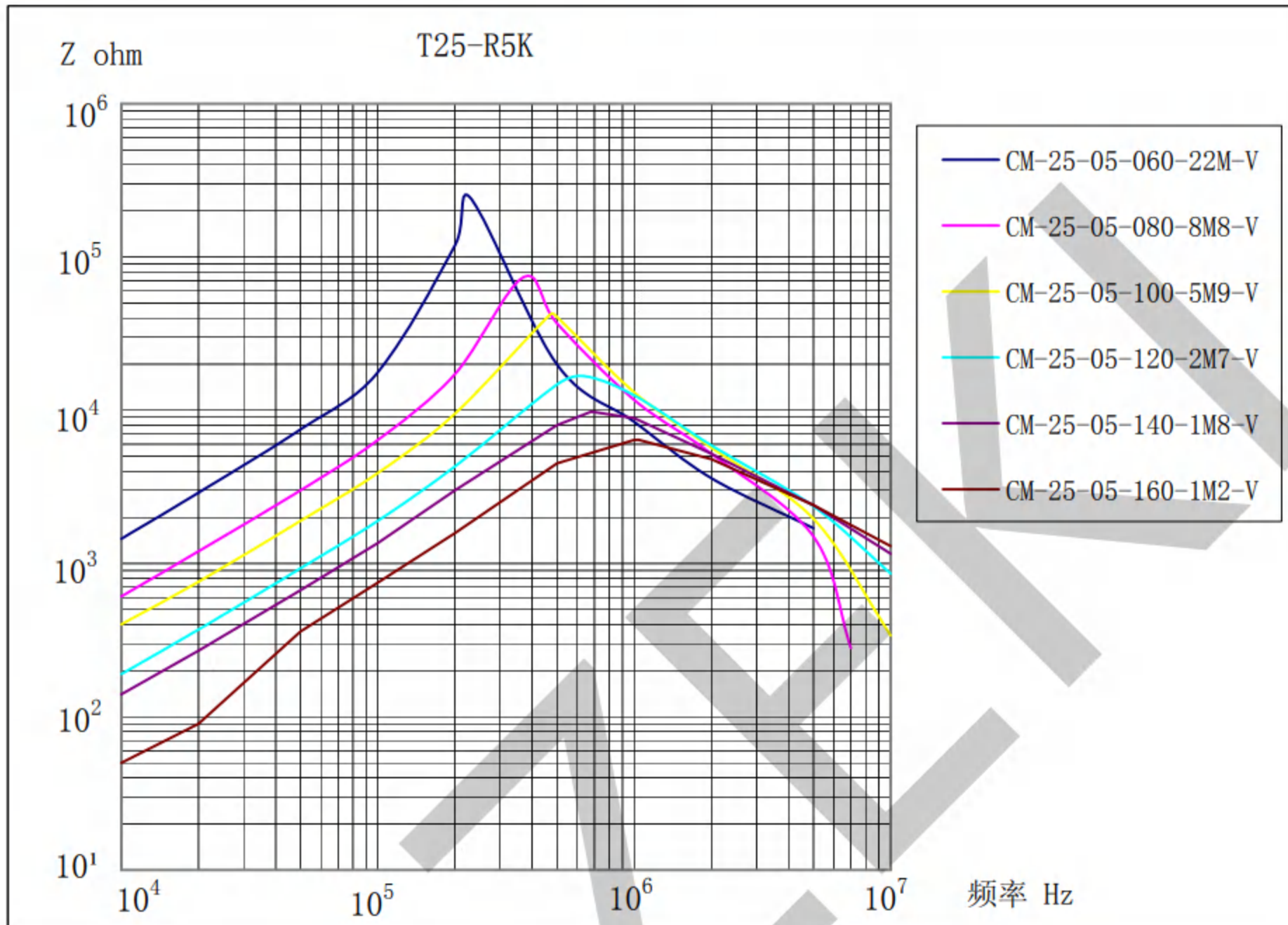
# OZEKI

共模电感 (T25 立式) 系列

Common mode choke (T25 vertical) series

阻抗频率特性曲线

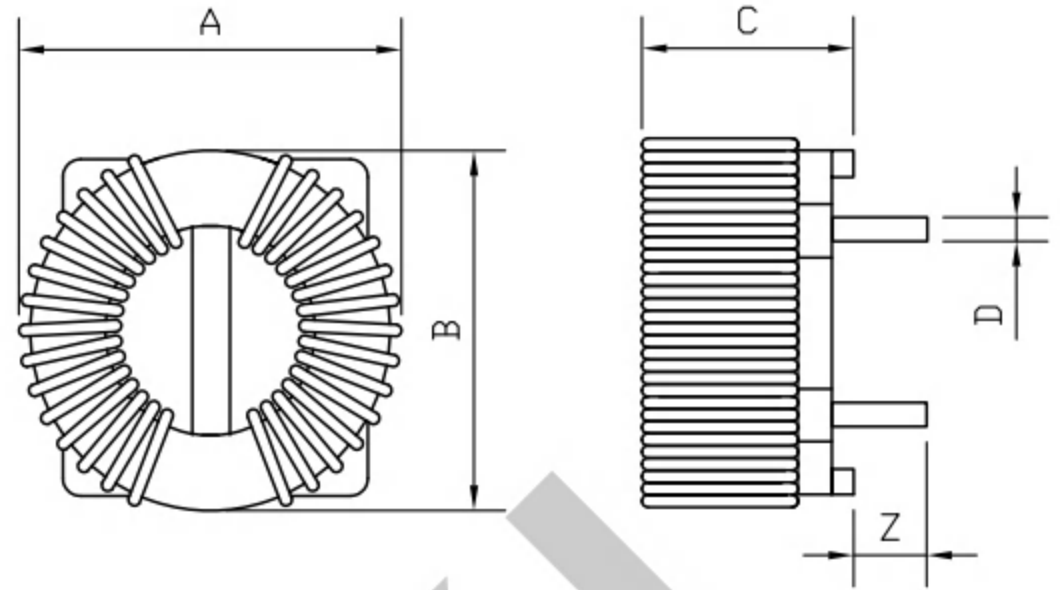
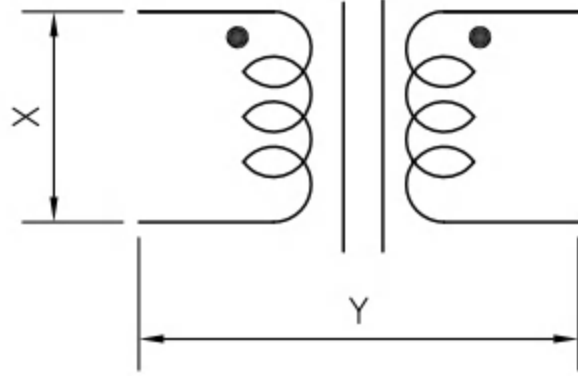
Impedance frequency characteristic curve



## 共模电感（环形卧式）系列

### Common mode choke(Ring horizontal)series

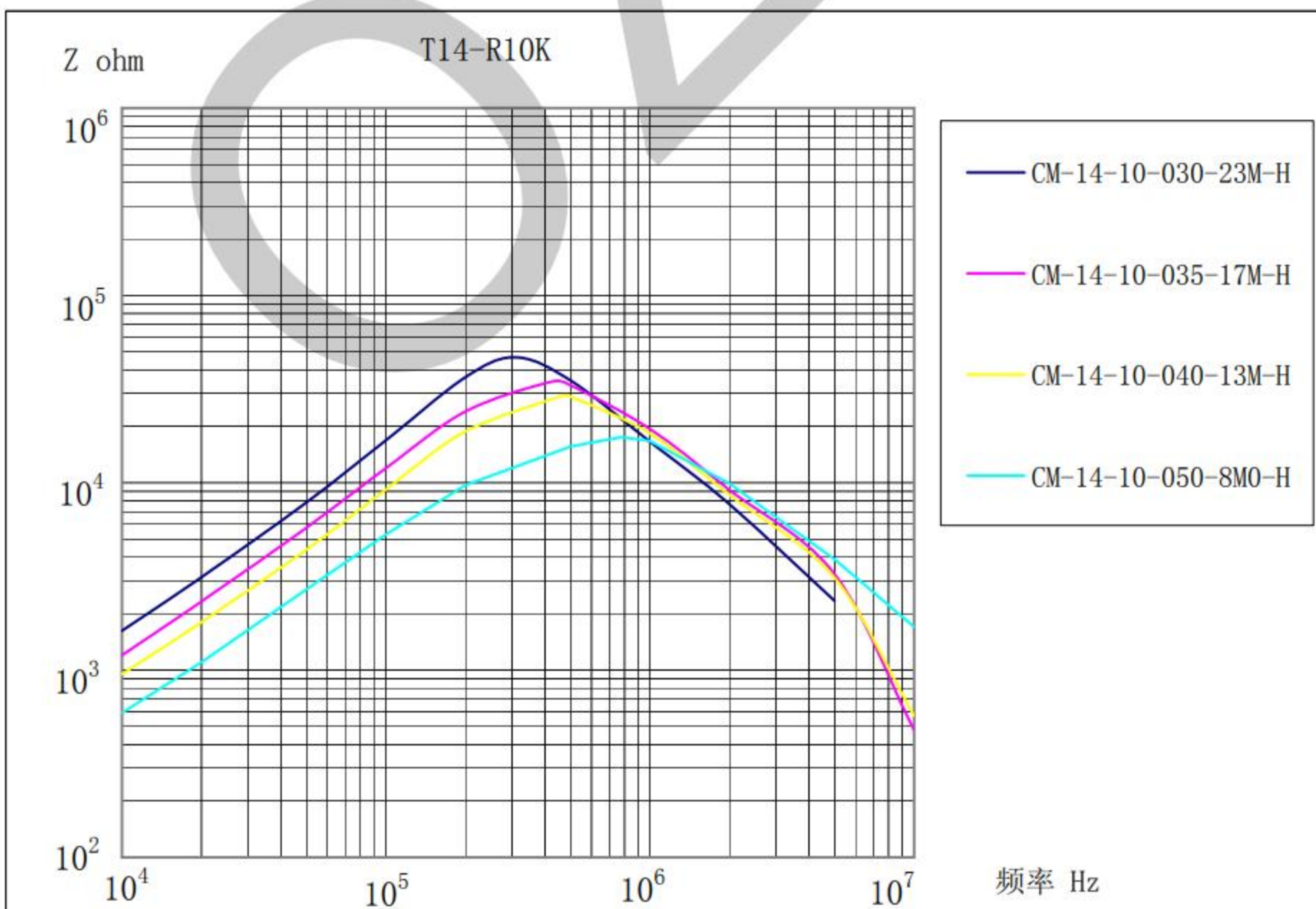
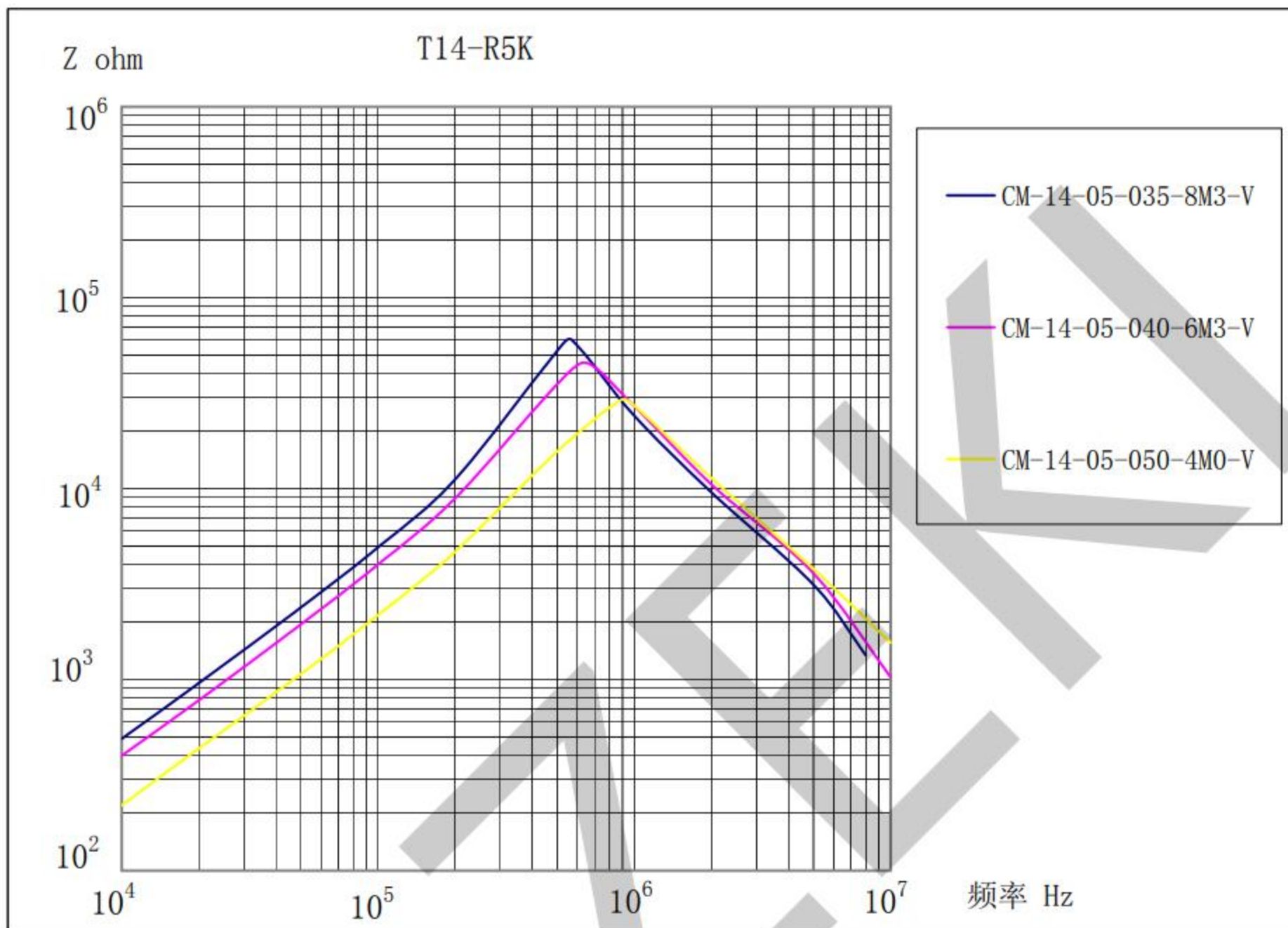
- 扁平设计/Flat design
- 体积小/Small volume
- 阻抗频率特性好/Good impedance frequency characteristic



型号/ Part No	电感量 Inductance mH(Typ) ①	直流电阻 DCR mΩ±15% ②	额定电流 Rating Current A(TA=50°C) ③	谐振频率 SRF kHz	X (mm)	Y (mm)	Z (mm)	A (mm)	B (mm)	C (mm)	D (mm)
CM-14-05-035-8M3-H	8.3	187.4	1.0	570	8	6	4.0	16.1	14.5	13.6	0.6
CM-14-05-040-6M3-H	6.3	129.0	1.3	650	8	6	4.0	16.1	14.5	13.6	0.6
CM-14-05-050-4M0-H	4.0	67.0	2.1	880	8	6	4.0	16.1	14.5	13.6	0.6
CM-14-10-030-23M-H	22.8	300.0	0.73	310	8	6	4.0	16.1	14.5	13.6	0.6
CM-14-10-035-17M-H	16.6	193.7	1.0	420	8	6	4.0	16.1	14.5	13.6	0.6
CM-14-10-040-13M-H	12.5	131.9	1.3	470	8	6	4.0	16.1	14.5	13.6	0.6
CM-14-10-050-8M0-H	8.0	72.4	2.1	780	8	6	4.0	16.1	14.5	13.6	0.6
CM-16-05-050-5M3-H	5.3	89.0	2.1	650	8	6	4.0	18.6	18.0	15.0	0.6
CM-16-05-060-4M2-H	4.2	57.3	2.9	780	8	6	4.0	18.6	18.0	15.0	0.6
CM-16-10-040-16M-H	15.8	162.3	1.3	470	8	6	4.0	18.6	18.0	15.0	0.6
CM-16-10-050-11M-H	10.6	87.5	2.1	540	8	6	4.0	18.6	18.0	15.0	0.6
CM-16-10-055-9M4-H	9.4	70.0	2.5	670	8	6	4.0	18.6	18.0	15.0	0.6
CM-16-10-060-8M4-H	8.4	57.0	2.9	680	8	6	4.0	18.6	18.0	15.0	0.6
CM-18-05-050-5M9-H	5.9	91.5	2.1	650	17	17	4.0	21.2	21.1	12.7	0.7
CM-18-05-060-4M2-H	4.2	56.1	2.9	730	17	17	4.0	21.2	21.1	12.7	0.7
CM-18-05-070-2M4-H	2.4	32.1	4.0	1040	17	17	4.0	21.2	21.1	12.7	0.7
CM-18-05-080-1M6-H	1.6	20.6	5.2	1180	17	17	4.0	21.2	21.1	12.7	0.7
CM-18-10-040-16M-H	15.9	159.9	1.3	500	17	17	4.0	21.2	21.1	12.7	0.7
CM-18-10-045-13M-H	13.2	116.8	1.7	520	17	17	4.0	21.2	21.1	12.7	0.7
CM-18-10-050-12M-H	11.9	95.1	2.1	560	17	17	4.0	21.2	21.1	12.7	0.7
CM-18-10-055-10M-H	10.0	70.0	2.5	670	17	17	4.0	21.2	21.1	12.7	0.7
CM-18-10-065-6M4-H	6.4	40.7	3.5	900	17	17	4.0	21.2	21.1	12.7	0.7
CM-18-10-070-4M7-H	4.7	31.5	4.0	1090	17	17	4.0	21.2	21.1	12.7	0.7

## 共模电感 (T14 卧式) 系列 Common mode choke (T14 horizontal) series

阻抗频率特性曲线  
Impedance frequency characteristic curve





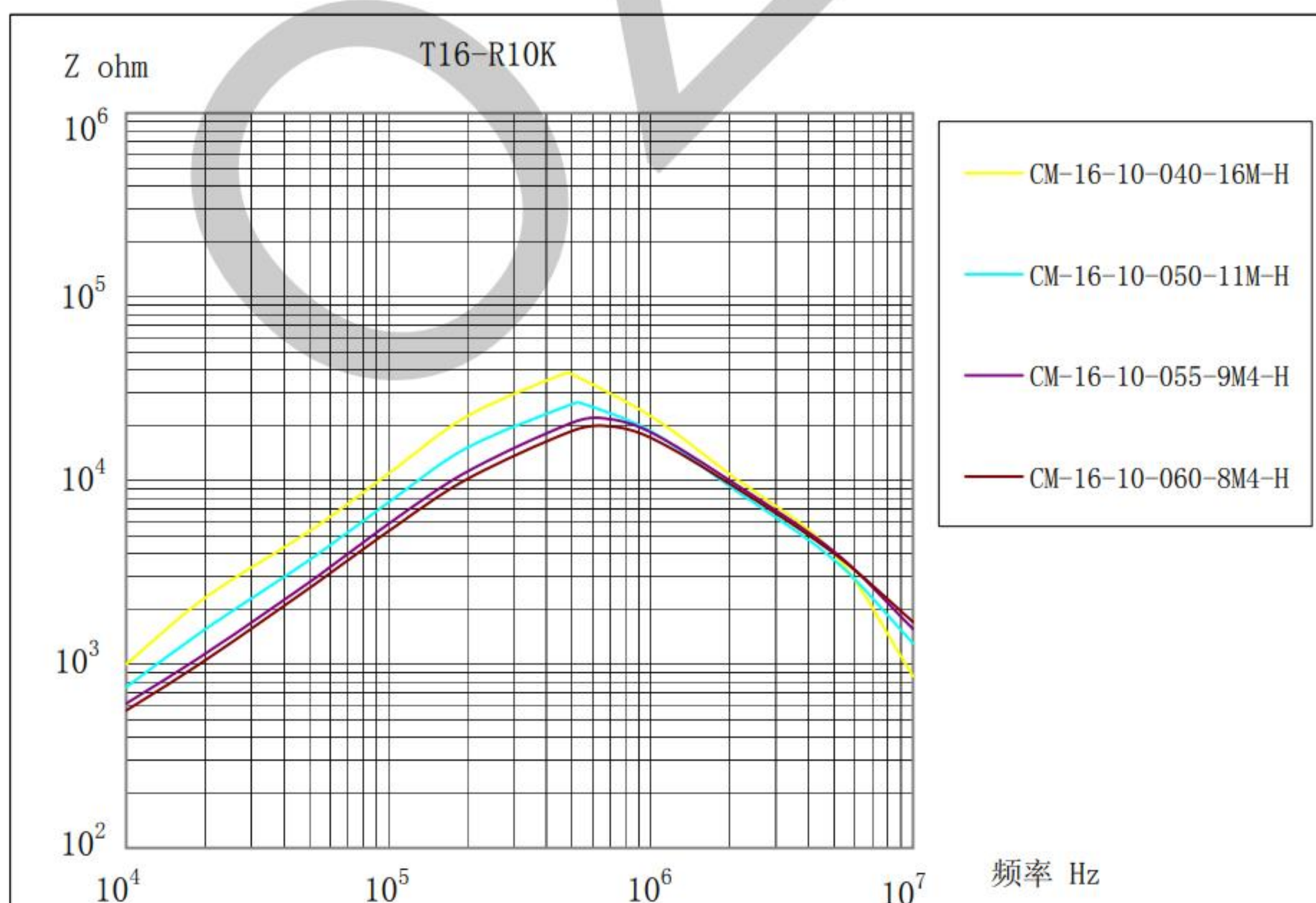
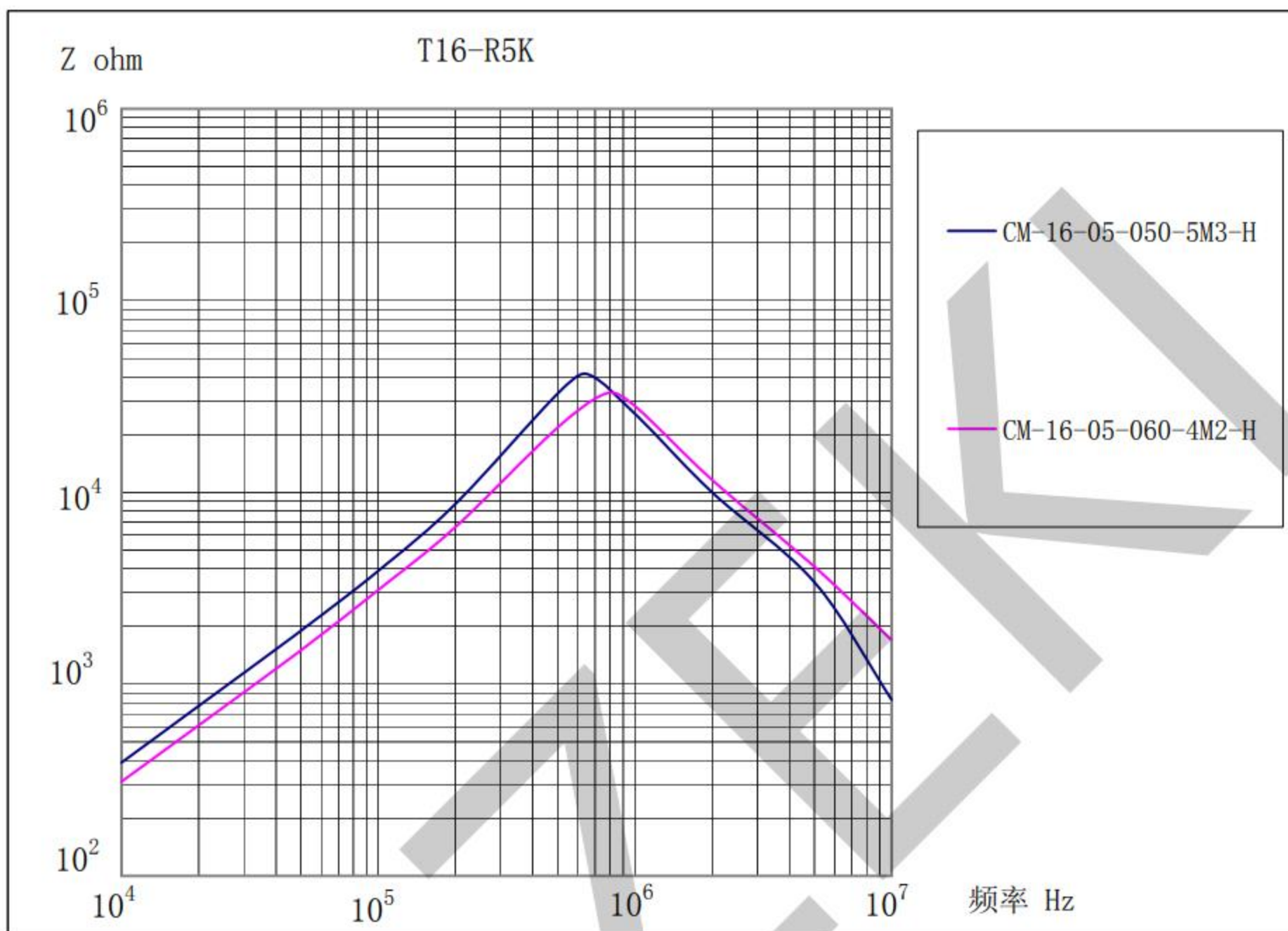
# OZEKI

共模电感 (T16 卧式) 系列

Common mode choke (T16 horizontal) series

阻抗频率特性曲线

Impedance frequency characteristic curve



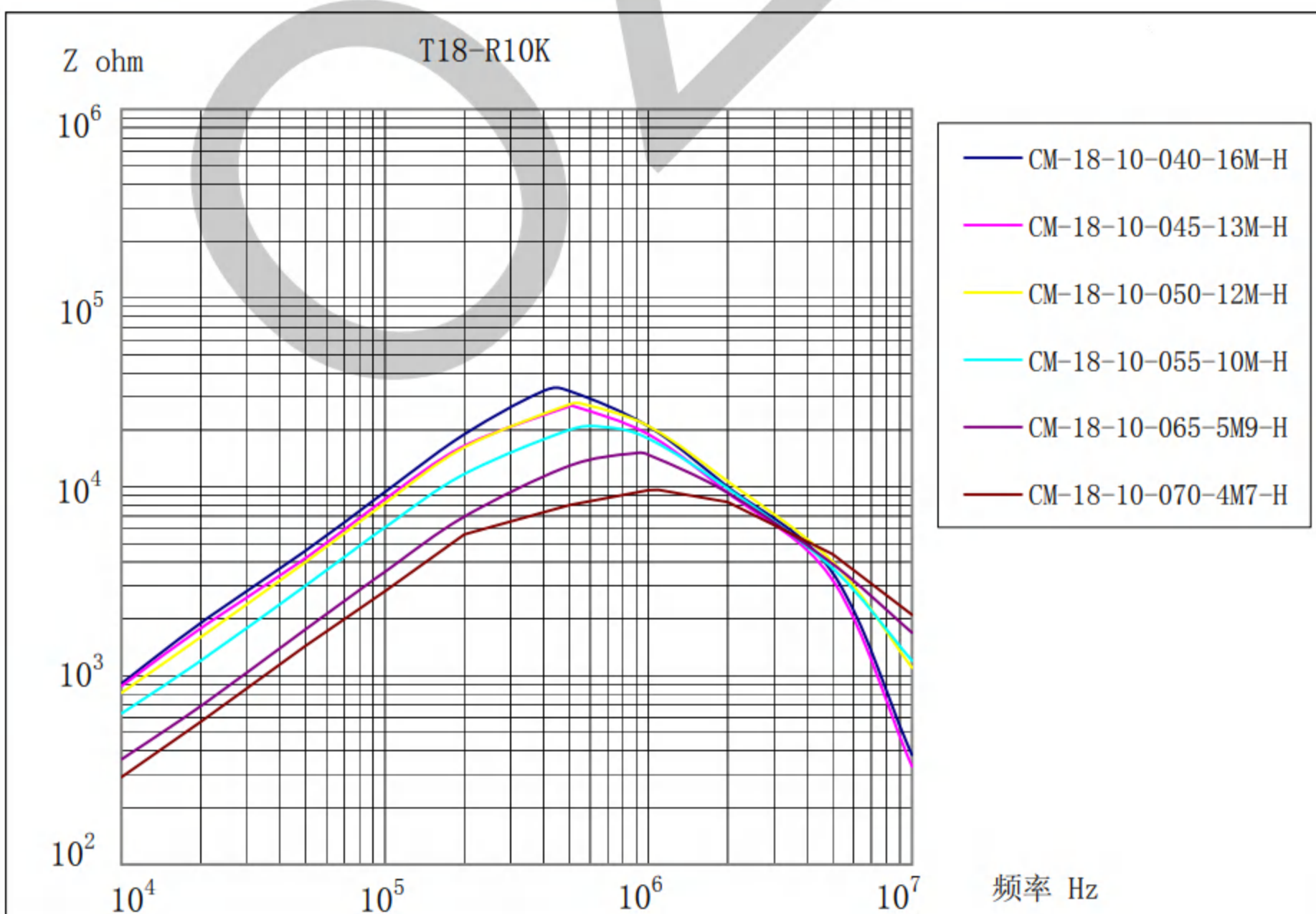
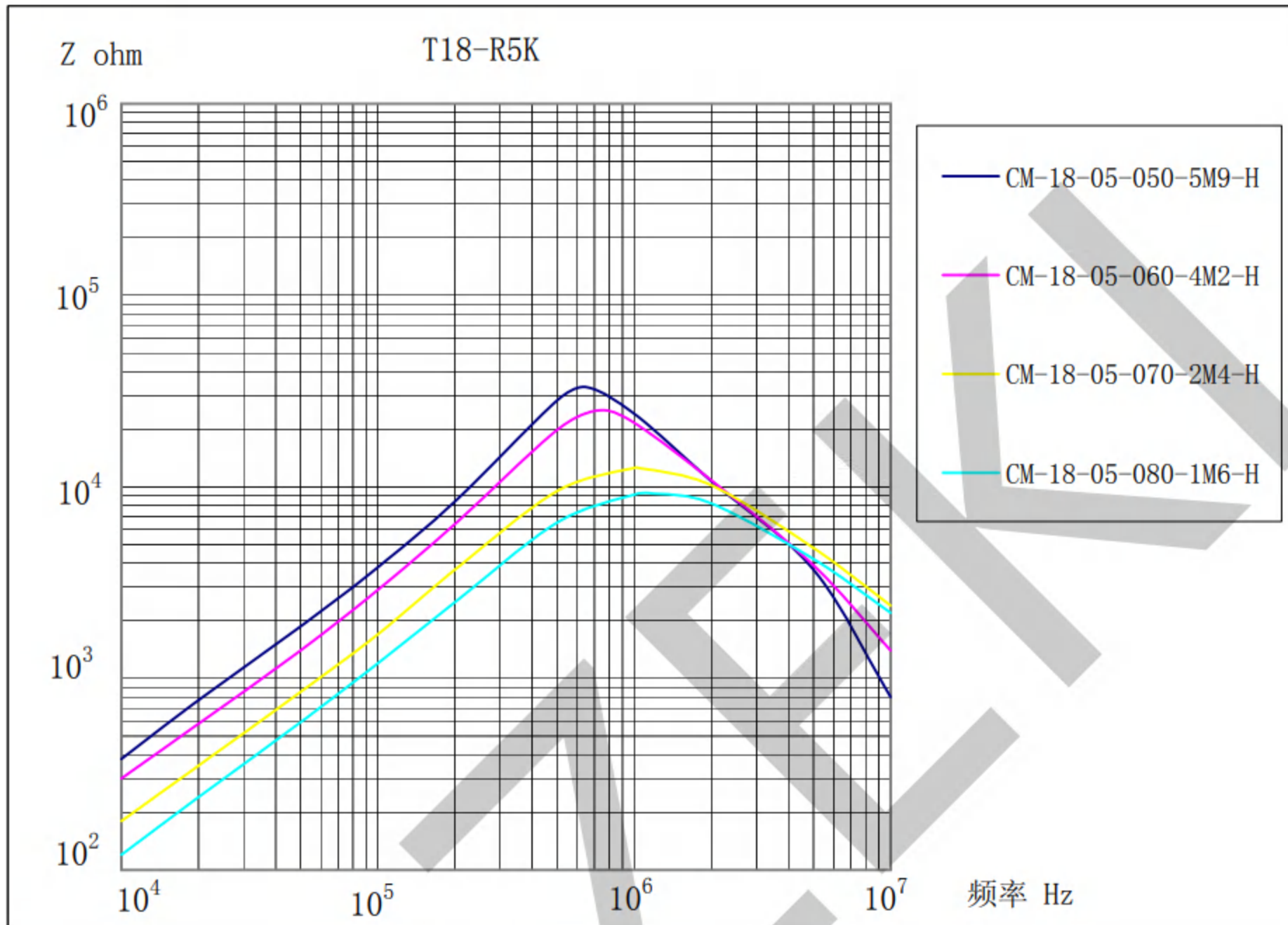
# OZEKI

共模电感 (T18 卧式) 系列

Common mode choke (T18 horizontal) series

阻抗频率特性曲线

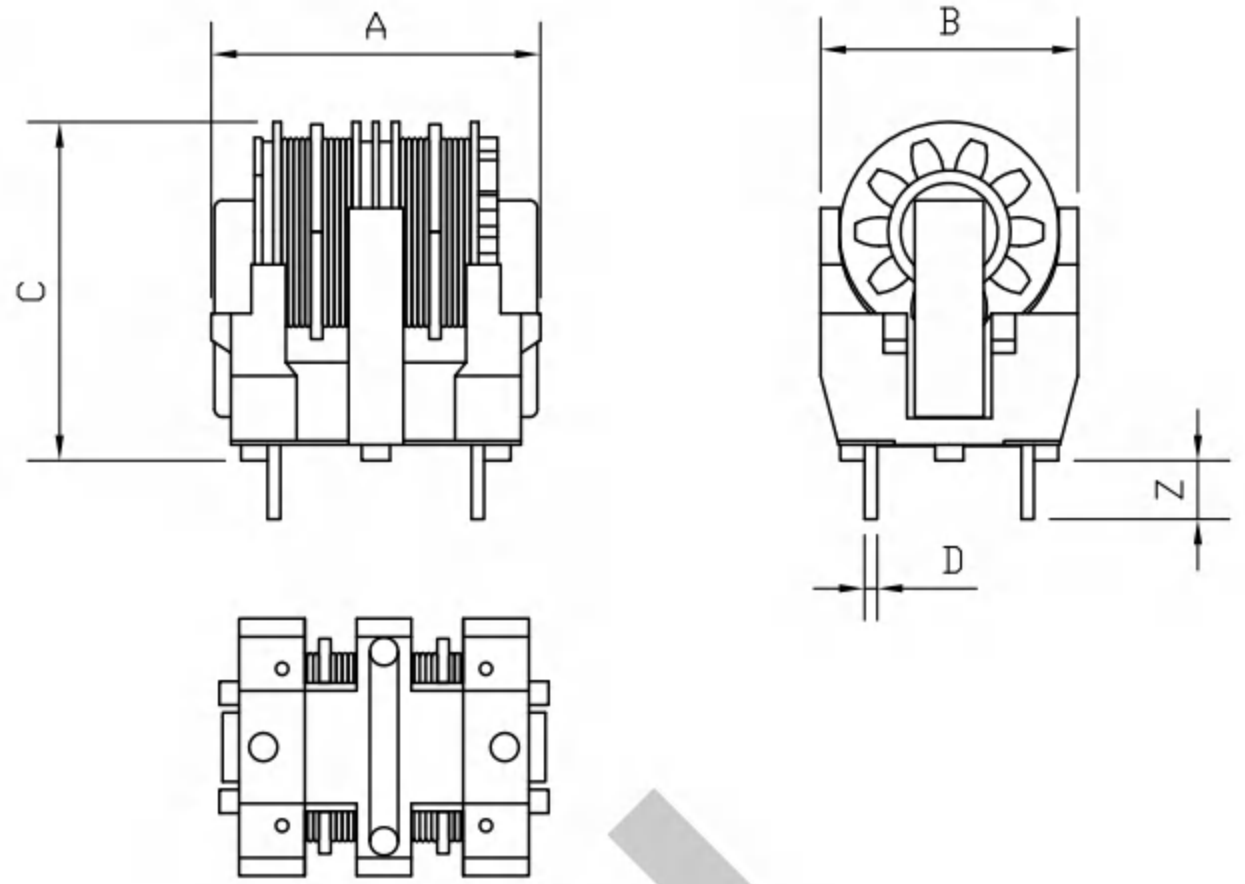
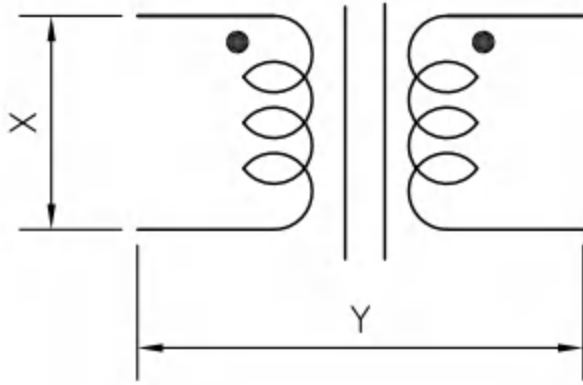
Impedance frequency characteristic curve



## 共模电感 (FT) 系列

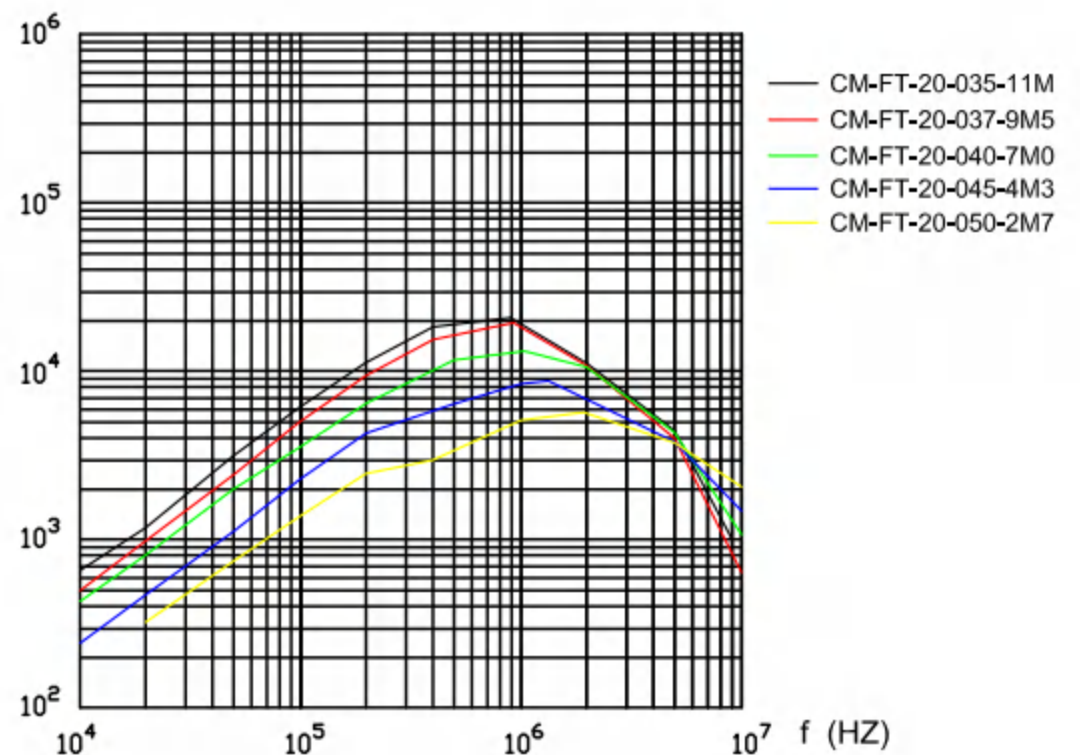
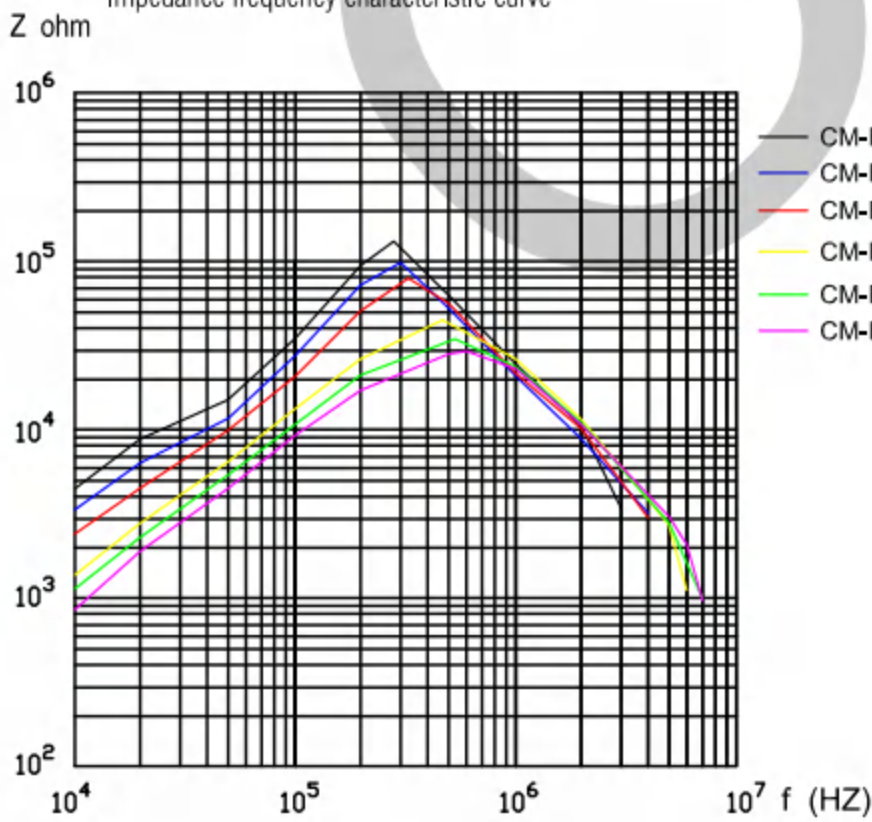
### Common mode choke(Ring horizontal)series

- 机器绕制, 生产效率高/Machine winding, high production efficiency
- 性能一致性好/Good performance consistency
- 阻抗频率特性好/Good impedance frequency characteristic



型号/ Part No	电感量 Inductance mH(Typ) ①	直流电阻 DCR mΩ±15% ②	额定电流 Rating Current A(TA=50°C) ③	谐振频率 SRF kHz	X (mm)	Y (mm)	Z (mm)	A (mm)	B (mm)	C (mm)	D (mm)
CM-FT-20-020-77M	77	3000	0.32	280	10.0	13.0	4.0	21.0	16.0	22.5	0.8
CM-FT-20-023-59M	59	2000	0.40	300	10.0	13.0	4.0	21.0	16.0	22.5	0.8
CM-FT-20-025-43M	43	1400	0.50	330	10.0	13.0	4.0	21.0	16.0	22.5	0.8
CM-FT-20-028-24M	24	860	0.55	480	10.0	13.0	4.0	21.0	16.0	22.5	0.8
CM-FT-20-030-19M	19	650	0.70	530	10.0	13.0	4.0	21.0	16.0	22.5	0.8
CM-FT-20-032-15M	15	520	0.80	590	10.0	13.0	4.0	21.0	16.0	22.5	0.8
CM-FT-20-035-11M	11	370	1.00	890	10.0	13.0	4.0	21.0	16.0	22.5	0.8
CM-FT-20-037-9M5	9.5	310	1.10	1100	10.0	13.0	4.0	21.0	16.0	22.5	0.8
CM-FT-20-040-7M0	7.0	230	1.20	1000	10.0	13.0	4.0	21.0	16.0	22.5	0.8
CM-FT-20-045-4M3	4.3	140	1.60	1400	10.0	13.0	4.0	21.0	16.0	22.5	0.8
CM-FT-20-050-2M7	2.7	95	2.00	1900	10.0	13.0	4.0	21.0	16.0	22.5	0.8

阻抗频率特性曲线  
Impedance frequency characteristic curve



- ① 电感量测试条件为10kHz 0.1V  
Inductance test condition is 10kHz 0.1V
- ② 直流电阻在25°C条件下测试  
DCR test ambient temperature is 25°C
- ③ 在额定电流条件下, 产品温升不超过45°C  
Under the rated current, the temperature rise is not more than 45°C

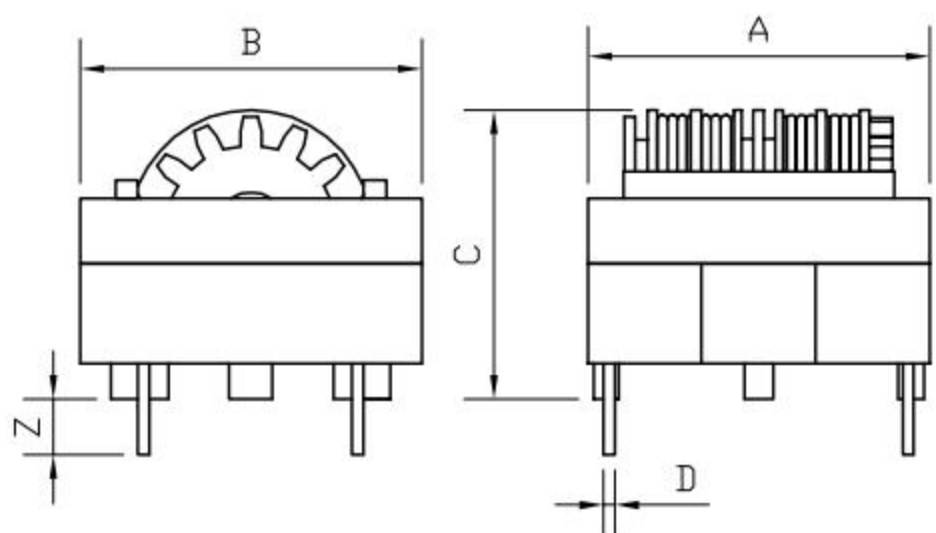
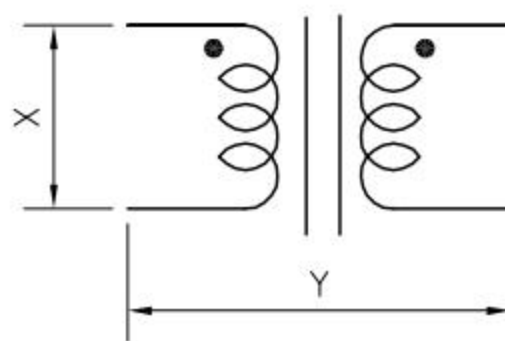
- ④ 额定电压及频率: 250V 50/60Hz  
Rating voltage and frequency: 250V 50/60Hz
- ⑤ 耐电压测试: 2000V 50/60Hz 2s  
Hipot: 2000V 50/60Hz 2s
- ⑥ 绝缘电阻: 100MΩ Min @500Vdc  
Insulation Resistance: 100MΩ Min @500Vdc

# OZEKI

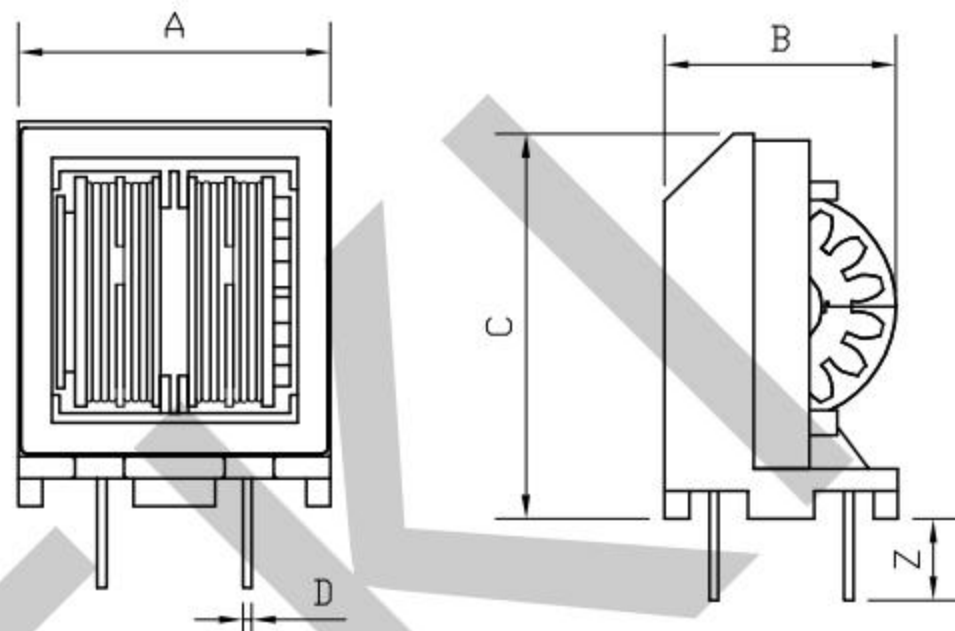
## 共模电感 (ET) 系列

### Common mode choke(ET)series

- 机器绕制, 生产效率高/Machine winding, high production efficiency
- 性能一致性好/Good performance consistency
- 阻抗频率特性好/Good impedance frequency characteristic



样式 2/Type 2



样式 1/Type 1

型号/ Part No	电感量 Inductance mH(Typ) ⊕	直流电阻 DCR mΩ±15% ⊕	额定电流 Rating Current A(TA=50°C) ⊕	谐振频率 SRF kHz	样式 Type	X (mm)	Y (mm)	Z (mm)	A (mm)	B (mm)	C (mm)	D (mm)
CM-ET24-10-027-168-V	168.0	2400	0.60	165	Type1	10.0	13.0	4.0	25.0	17.5	29.5	φ 0.8
CM-ET24-10-027-168-H					Type2	15.0	21.0	4.0	24.5	24.5	20.0	φ 0.8
CM-ET24-10-030-123-V	123.0	1650	0.74	170	Type1	10.0	13.0	4.0	25.0	17.5	29.5	φ 0.8
CM-ET24-10-030-123-H					Type2	15.0	21.0	4.0	24.5	24.5	20.0	φ 0.8
CM-ET24-10-035-55M-V	55.0	810	1.00	260	Type1	10.0	13.0	4.0	25.0	17.5	29.5	φ 0.8
CM-ET24-10-035-55M-H					Type2	15.0	21.0	4.0	24.5	24.5	20.0	φ 0.8
CM-ET24-10-040-38M-V	38.0	510	1.31	290	Type1	10.0	13.0	4.0	25.0	17.5	29.5	φ 0.8
CM-ET24-10-040-38M-H					Type2	15.0	21.0	4.0	24.5	24.5	20.0	φ 0.8
CM-ET24-10-045-26M-V	26.0	350	1.66	350	Type1	10.0	13.0	4.0	25.0	17.5	29.5	φ 0.8
CM-ET24-10-045-26M-H					Type2	15.0	21.0	4.0	24.5	24.5	20.0	φ 0.8
CM-ET24-10-050-15M-V	15.0	210	2.04	500	Type1	10.0	13.0	4.0	25.0	17.5	29.5	φ 0.8
CM-ET24-10-050-15M-H					Type2	15.0	21.0	4.0	24.5	24.5	20.0	φ 0.8
CM-ET24-10-055-9M5-V	9.5	140	2.47	620	Type1	10.0	13.0	4.0	25.0	17.5	29.5	φ 0.8
CM-ET24-10-055-9M5-H					Type2	15.0	21.0	4.0	24.5	24.5	20.0	φ 0.8

## 共模电感 (ET) 系列

### Common mode choke(ET)series

型号/ Part No	电感量 Inductance mH(Typ) ①	直流电阻 DCR mΩ±15% ②	额定电流 Rating Current A(TA=50°C) ③	谐振频率 SRF kHz	样式 Type	X (mm)	Y (mm)	Z (mm)	A (mm)	B (mm)	C (mm)	D (mm)
CM-ET24-10-060-6M2-V	6.2	101	2.94	750	Type1	10.0	13.0	4.0	25.0	17.5	29.5	φ 0.8
CM-ET24-10-060-6M2-H					Type2	15.0	21.0	4.0	24.5	24.5	20.0	φ 0.8
CM-ET24-10-065-5M5-V	5.5	74	3.45	850	Type1	10.0	13.0	4.0	25.0	17.5	29.5	φ 0.8
CM-ET24-10-065-5M5-H					Type2	15.0	21.0	4.0	24.5	24.5	20.0	φ 0.8
CM-ET24-10-070-3M9-V	3.9	54	4.00	1000	Type1	10.0	13.0	4.0	25.0	17.5	29.5	φ 0.8
CM-ET24-10-070-3M9-H					Type2	15.0	21.0	4.0	24.5	24.5	20.0	φ 0.8
CM-ET28-10-035-175-V	175.0	1500	1.00	120	Type1	10.0	13.0	4.0	29.5	21.5	34.5	φ 0.8
CM-ET28-10-035-175-H					Type2	20.0	24.0	4.0	28.5	28.5	23.5	φ 0.8
CM-ET28-10-037-146-V	146.0	1200	1.11	130	Type1	10.0	13.0	4.0	29.5	21.5	34.5	φ 0.8
CM-ET28-10-037-146-H					Type2	20.0	24.0	4.0	28.5	28.5	23.5	φ 0.8
CM-ET28-10-040-92M-V	92.0	860	1.31	160	Type1	10.0	13.0	4.0	29.5	21.5	34.5	φ 0.8
CM-ET28-10-040-92M-H					Type2	20.0	24.0	4.0	28.5	28.5	23.5	φ 0.8
CM-ET28-10-045-66M-V	66.0	580	1.66	180	Type1	10.0	13.0	4.0	29.5	21.5	34.5	φ 0.8
CM-ET28-10-045-66M-H					Type2	20.0	24.0	4.0	28.5	28.5	23.5	φ 0.8
CM-ET28-10-050-42M-V	42.0	370	2.04	230	Type1	10.0	13.0	4.0	29.5	21.5	34.5	φ 0.8
CM-ET28-10-050-42M-H					Type2	20.0	24.0	4.0	28.5	28.5	23.5	φ 0.8
CM-ET28-10-055-25M-V	25.0	240	2.47	290	Type1	10.0	13.0	4.0	29.5	21.5	34.5	φ 0.8
CM-ET28-10-055-25M-H					Type2	20.0	24.0	4.0	28.5	28.5	23.5	φ 0.8
CM-ET28-10-060-17M-V	17.0	165	2.94	380	Type1	10.0	13.0	4.0	29.5	21.5	34.5	φ 0.8
CM-ET28-10-060-17M-H					Type2	20.0	24.0	4.0	28.5	28.5	23.5	φ 0.8
CM-ET28-10-065-13M-V	13.0	125	3.45	450	Type1	10.0	13.0	4.0	29.5	21.5	34.5	φ 0.8
CM-ET28-10-065-13M-H					Type2	20.0	24.0	4.0	28.5	28.5	23.5	φ 0.8
CM-ET28-10-070-9M5-V	9.5	88	4.0	600	Type1	10.0	13.0	4.0	29.5	21.5	34.5	φ 0.8
CM-ET28-10-070-9M5-H					Type2	20.0	24.0	4.0	28.5	28.5	23.5	φ 0.8

- ① 电感量测试条件为10kHz 0.1V  
Inductance test condition is 10kHz 0.1V
- ② 直流电阻在25°C条件下测试  
DCR test ambient temperature is 25°C
- ③ 在额定电流条件下，产品温升不超过45°C  
Under the rated current, the temperature rise is not more than 45°C

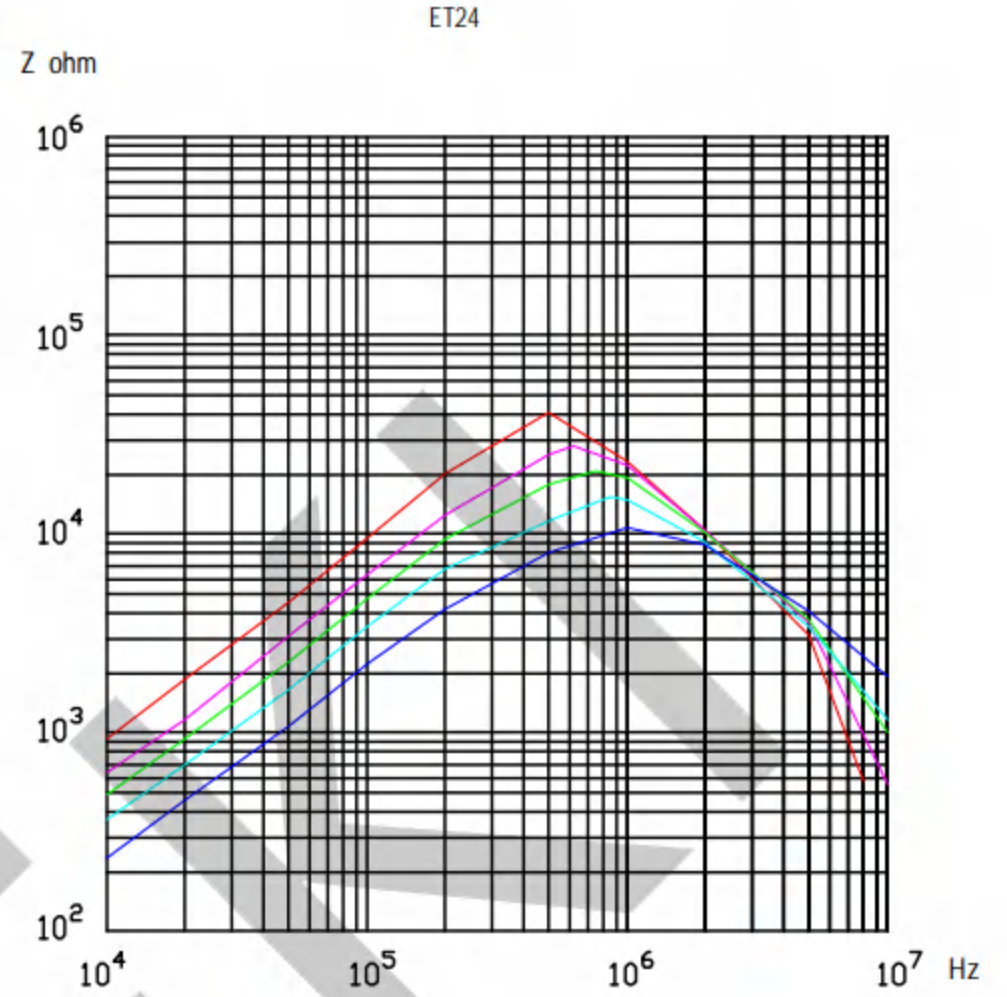
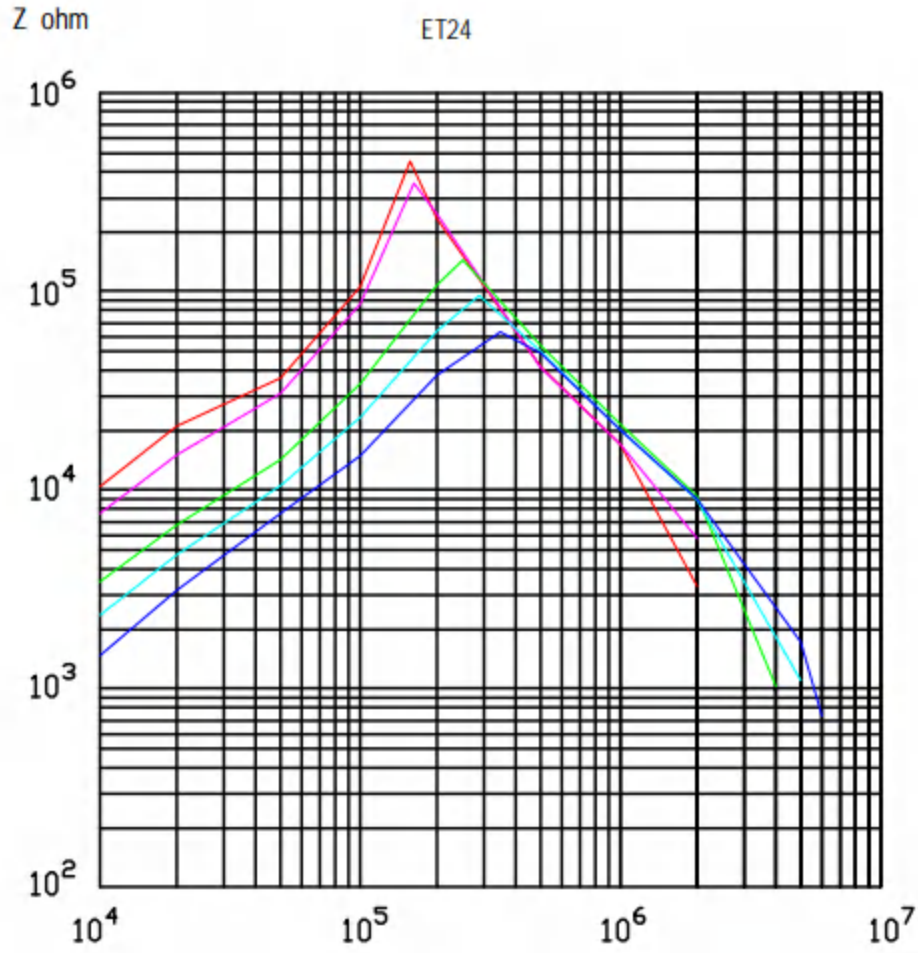
- ④ 额定电压及频率：250V 50/60Hz  
Rating voltage and frequency: 250V 50/60Hz
- ⑤ 耐电压测试：2000V 50/60Hz 2s  
Hipot: 2000V 50/60Hz 2s
- ⑥ 绝缘电阻：100MΩ Min @500Vdc  
Insulation Resistance: 100MΩ Min @500Vdc

# OZEKI

## 共模电感 (ET) 系列

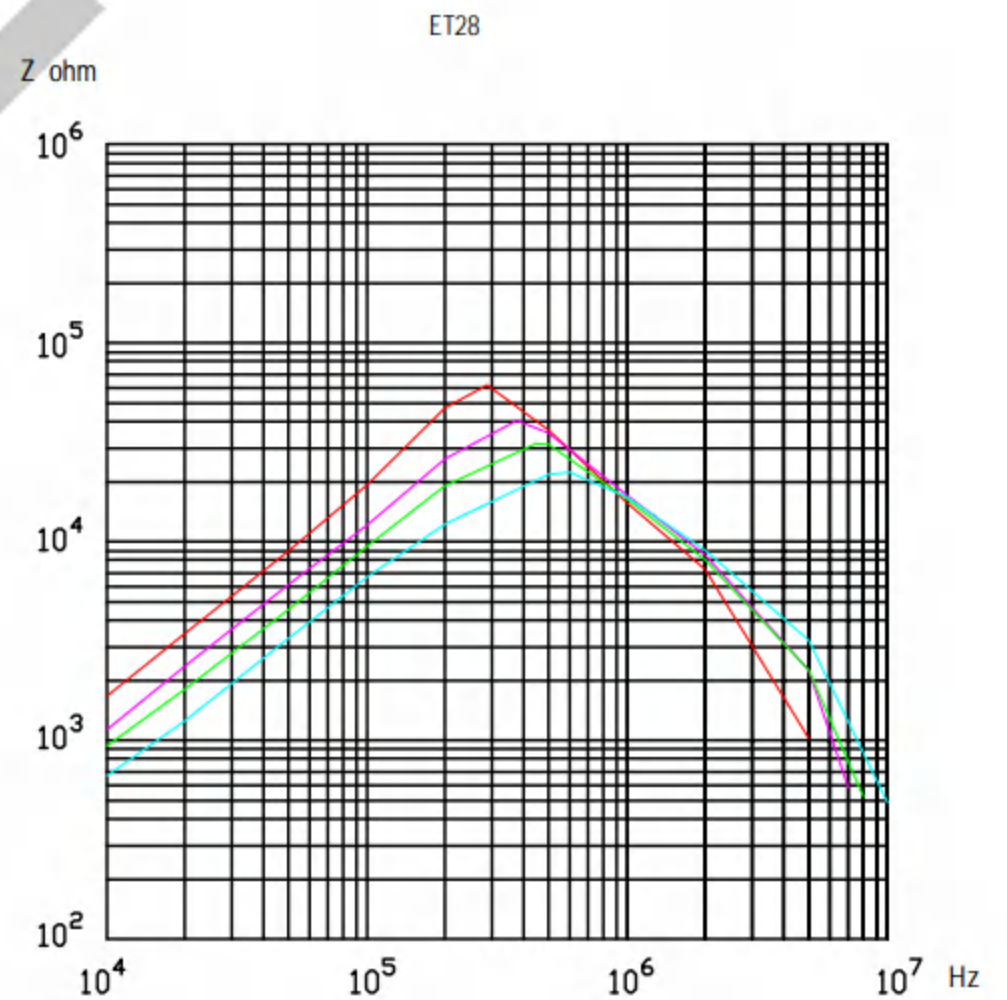
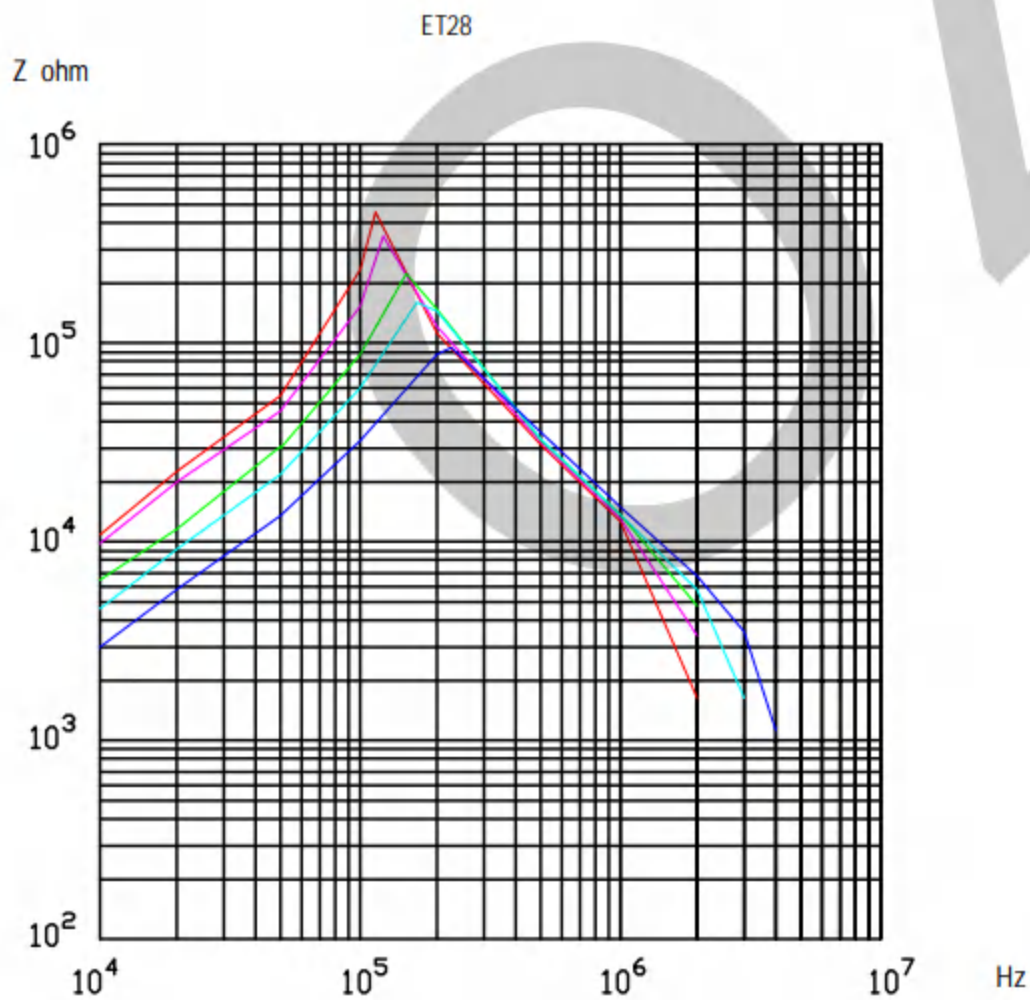
### Common mode choke(ET)series

阻抗频率特性曲线  
Impedance frequency characteristic curve



- CM-ET24-10-027-168-V /H
- CM-ET24-10-030-123-V /H
- CM-ET24-10-035-55M-V /H
- CM-ET24-10-040-38M-V /H
- CM-ET24-10-045-26M-V /H

- CM-ET24-10-050-15M-V /H
- CM-ET24-10-055-9M5-V /H
- CM-ET24-10-060-6M2-V /H
- CM-ET24-10-065-5M5-V /H
- CM-ET24-10-070-3M9-V /H



- CM-ET28-10-035-175-V /H
- CM-ET28-10-037-146-V /H
- CM-ET28-10-040-92M-V /H
- CM-ET28-10-045-66M-V /H
- CM-ET28-10-050-42M-V /H

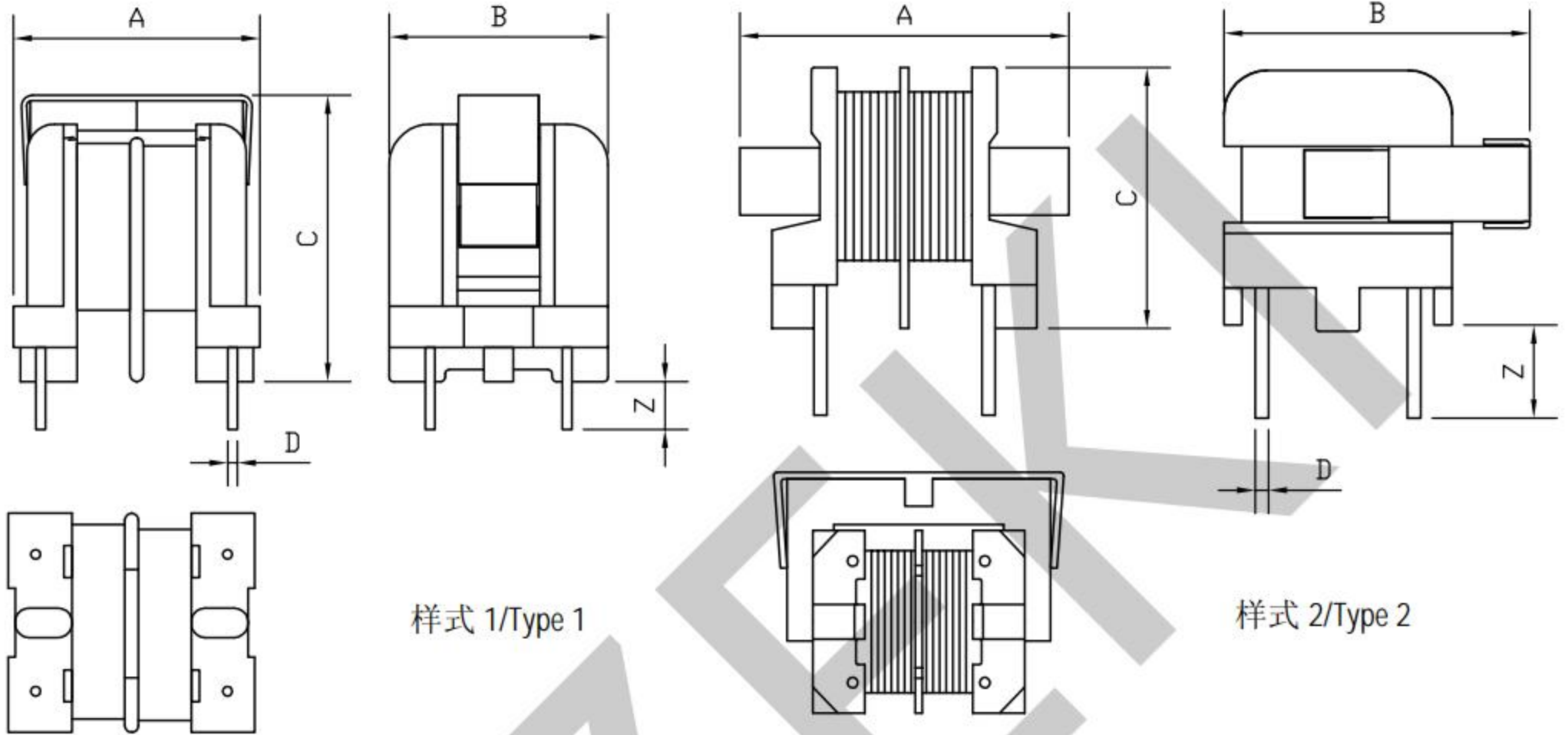
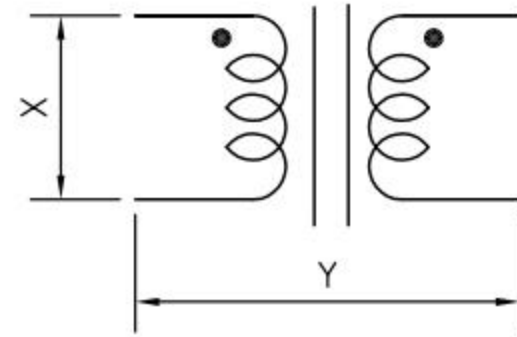
- CM-ET28-10-055-25M-V /H
- CM-ET28-10-060-17M-V /H
- CM-ET28-10-065-13M-V /H
- CM-ET28-10-070-9M5-V /H

# OZEKI

## 共模电感 (UU) 系列

### Common mode choke(UU)series

- 机器绕制, 生产效率高/Machine winding, high production efficiency
- 性能一致性好/Good performance consistency
- 阻抗频率特性好/Good impedance frequency characteristic



样式 1/Type 1

样式 2/Type 2

型号/ Part No	电感量 Inductance mH(Typ) ①	直流电阻 DCR mΩ±15% ②	额定电流 Rating Current A(TA=50°C) ③	谐振频率 SRF kHz	样式 Type	X (mm)	Y (mm)	Z (mm)	A (mm)	B (mm)	C (mm)	D (mm)
CM-U09-10-015-36M0-V	36.0mH	3200	0.19	192	1	7.0	8.0	4.0	15.6	11.0	15.8	0.6
CM-U09-10-015-36M0-H					2	7.0	8.0	4.0	15.6	14.5	12.5	0.6
CM-U09-10-018-23M0-V	23.0mH	1820	0.27	250	1	7.0	8.0	4.0	15.6	11.0	15.8	0.6
CM-U09-10-018-23M0-H					2	7.0	8.0	4.0	15.6	14.5	12.5	0.6
CM-U09-10-020-19M4-V	19.4mH	1360	0.33	280	1	7.0	8.0	4.0	15.6	11.0	15.8	0.6
CM-U09-10-020-19M4-H					2	7.0	8.0	4.0	15.6	14.5	12.5	0.6
CM-U09-10-025-10M2-V	10.2mH	665	0.51	420	1	7.0	8.0	4.0	15.6	11.0	15.8	0.6
CM-U09-10-025-10M2-H					2	7.0	8.0	4.0	15.6	14.5	12.5	0.6
CM-U09-10-030-4M0-V	4.0mH	285	0.74	700	1	7.0	8.0	4.0	15.6	11.0	15.8	0.6
CM-U09-10-030-4M0-H					2	7.0	8.0	4.0	15.6	14.5	12.5	0.6
CM-U09-10-035-2M6-V	2.6mH	175	1.00	930	1	7.0	8.0	4.0	15.6	11.0	15.8	0.6
CM-U09-10-035-2M6-H					2	7.0	8.0	4.0	15.6	14.5	12.5	0.6
CM-U09-10-040-1M4-V	1.4mH	98	1.31	1400	1	7.0	8.0	4.0	15.6	11.0	15.8	0.6
CM-U09-10-040-1M4-H					2	7.0	8.0	4.0	15.6	14.5	12.5	0.6

# OZEKI

## 共模电感 (UU) 系列

### Common mode choke(UU)series

型号/ Part No	电感量 Inductance mH(Typ) ①	直流电阻 DCR mΩ±15% ②	额定电流 Rating Current A(TA=50°C) ③	谐振频率 SRF kHz	样式 Type	X (mm)	Y (mm)	Z (mm)	A (mm)	B (mm)	C (mm)	D (mm)
CM-U09-10-050-0M6-V	0.6mH	44	2.04	2000	1	7.0	8.0	4.0	15.6	11.0	15.8	0.6
CM-U09-10-050-0M6-H					2	7.0	8.0	4.0	15.6	14.5	12.5	0.6
CM-U10-10-025-28M0-V	28.0mH	1000	0.51	180	1	10.0	13.0	3.8	17.9	16.0	21.0	0.7
CM-U10-10-025-28M0-H					2	10.0	13.0	3.8	17.5	18.0	13.8	0.7
CM-U10-10-028-13M7-V	13.7mH	570	0.64	270	1	10.0	13.0	3.8	17.9	16.0	21.0	0.7
CM-U10-10-028-13M7-H					2	10.0	13.0	3.8	17.5	18.0	13.8	0.7
CM-U10-10-030-10M1-V	10.1mH	410	0.74	280	1	10.0	13.0	3.8	17.9	16.0	21.0	0.7
CM-U10-10-030-10M1-H					2	10.0	13.0	3.8	17.5	18.0	13.8	0.7
CM-U10-10-032-8M5-V	8.5mH	330	0.84	320	1	10.0	13.0	3.8	17.9	16.0	21.0	0.7
CM-U10-10-032-8M5-H					2	10.0	13.0	3.8	17.5	18.0	13.8	0.7
CM-U10-10-035-7M0-V	7.0mH	260	1.00	340	1	10.0	13.0	3.8	17.9	16.0	21.0	0.7
CM-U10-10-035-7M0-H					2	10.0	13.0	3.8	17.5	18.0	13.8	0.7
CM-U10-10-040-3M4-V	3.4mH	135	1.31	600	1	10.0	13.0	3.8	17.9	16.0	21.0	0.7
CM-U10-10-040-3M4-H					2	10.0	13.0	3.8	17.5	18.0	13.8	0.7
CM-U10-10-045-2M5-V	2.5mH	94	1.66	660	1	10.0	13.0	3.8	17.9	16.0	21.0	0.7
CM-U10-10-045-2M5-H					2	10.0	13.0	3.8	17.5	18.0	13.8	0.7
CM-U10-10-050-1M8-V	1.8mH	66	2.04	450	1	10.0	13.0	3.8	17.9	16.0	21.0	0.7
CM-U10-10-050-1M8-H					2	10.0	13.0	3.8	17.5	18.0	13.8	0.7
CM-U10-10-055-1M4-V	1.4mH	49	2.47	1100	1	10.0	13.0	3.8	17.9	16.0	21.0	0.7
CM-U10-10-055-1M4-H					2	10.0	13.0	3.8	17.5	18.0	13.8	0.7

- ① 电感量测试条件为10kHz 0.1V  
Inductance test condition is 10kHz 0.1V
- ② 直流电阻在25°C条件下测试  
DCR test ambient temperature is 25°C
- ③ 在额定电流条件下，产品温升不超过45°C  
Under the rated current, the temperature rise is not more than 45°C

- ④ 额定电压及频率：250V 50/60Hz  
Rating voltage and frequency: 250V 50/60Hz
- ⑤ 耐电压测试：2000V 50/60Hz 2s  
Hipot: 2000V 50/60Hz 2s
- ⑥ 绝缘电阻：100MΩ Min @500Vdc  
Insulation Resistance: 100MΩ Min @500Vdc



# OZEKI

共模电感 (UU) 系列  
Common mode choke (ET) series

阻抗频率特性曲线  
Impedance frequency characteristic curve

